



# CAN-BRAC UNIVERSAL SIGN BRACKET ASSEMBLY

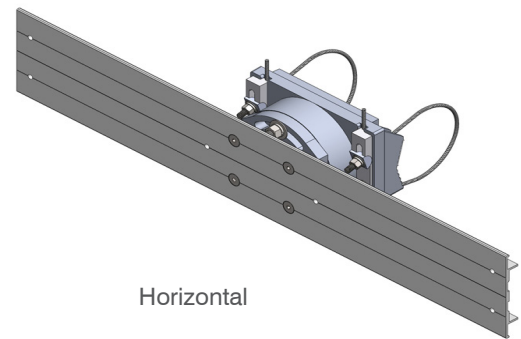
## OVERVIEW

The Patented CAN-BRAC Universal Sign Bracket is a simple and efficient way to create a permanent fixture for road and traffic signs without requiring two bucket trucks. With its easy adjustability, it is simple to display informative signs for road traffic.

The sign extrusion provides reinforced backing for signs and increased support over a larger area.

## FEATURES—CAN-BRAC UNIVERSAL SIGN

- Ease of installation
- 72 degrees of rotation adjustments
- Vertical or horizontal configurations
- Extrusion is available in pre-cut lengths from 12" to 96"
- Stainless steel hardware and aircraft cable
- Mounts on tenons from 2-3/8" and larger, limited only by cable length



Horizontal

CONTACT US AT 1-844-668-6848



# CAN-BRAC UNIVERSAL SIGN BRACKET ASSEMBLY

## ORDERING INFORMATION

| PART NUMBER | DESCRIPTION   |
|-------------|---|
| CUS-E24-48  | CAN-BRAC Universal Sign Mount, 24" Extrusion, 48" Cable |
| CUS-E36-48  | CAN-BRAC Universal Sign Mount, 36" Extrusion, 48" Cable |
| CUS-E48-48  | CAN-BRAC Universal Sign Mount, 48" Extrusion, 48" Cable |
| CUS-E60-48  | CAN-BRAC Universal Sign Mount, 60" Extrusion, 48" Cable |
| CUS-E72-48  | CAN-BRAC Universal Sign Mount, 72" Extrusion, 48" Cable |
| CUS-E96-48  | CAN-BRAC Universal Sign Mount, 96" Extrusion, 48" Cable |

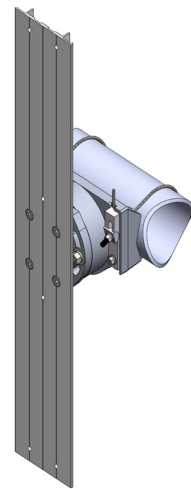
NOTE: Additional options including 96" cable and offset design available. Contact sales for details.

## SUPPORT & WARRANTY

We believe so much in the quality of our products that we offer an industry leading support and warranty program, five years of warranty from date of initial purchase. If it breaks on installation we will replace it, no questions asked.

## SPECIFICATIONS

Finish: Cast aluminum  
 Material: Primary grade aluminum alloy  
 Colors: Available as required. Please visit our paint page for colors.



Vertical

Distributed by **FORTRAN** [www.fortrantraffic.com](http://www.fortrantraffic.com)  
 Central Office: 1-800-387-4555  
 Western Office: 604-502-9680

CENTRAL OFFICE  
 300 International Drive, Suite 100  
 Buffalo, NY 14221  
[www.traffichardware.com](http://www.traffichardware.com)