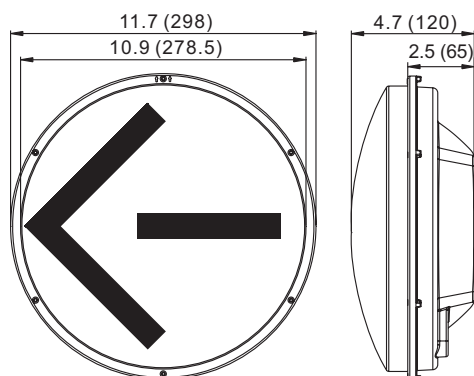
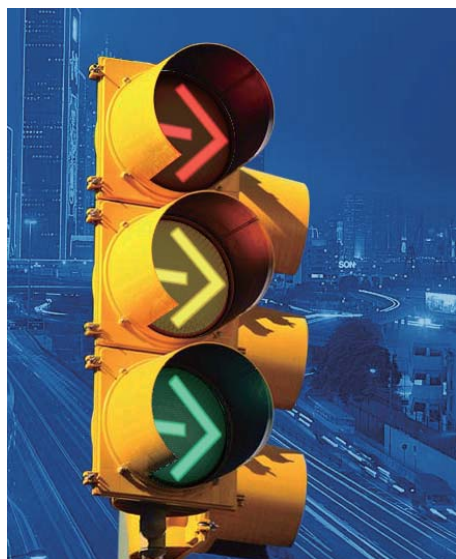




# 12 Inch Incandescent Look LED Arrow Signals



unit: inch (mm)

## Tinted Lens Series

Model Number	Color	Dimension	Power Consumption ( Watt ) ( Typ. )	Dominant Wavelength ( nm ) ( Typ. )	Peak Minimum Maintained Luminous Intensity ( cd ) ( min. )	Meet ITE / Caltrans Spec.
TRA-R12DG-IN	Red	12" / 300 mm	6.4	623	58	✓
TRA-Y12DG-IN2	Amber	12" / 300 mm	8.5	590	146	✓
TRA-G12DG-IN	Green	12" / 300 mm	6	500	76	✓

## Clear Lens Series

Model Number	Color	Dimension	Power Consumption ( Watt ) ( Typ. )	Dominant Wavelength ( nm ) ( Typ. )	Peak Minimum Maintained Luminous Intensity ( cd ) ( min. )	Meet ITE / Caltrans Spec.
TRA-R12DG-IN-C	Red	12" / 300 mm	6.4	623	58	✓
TRA-Y12DG-IN2-C	Amber	12" / 300 mm	8.5	590	146	✓
TRA-G12DG-IN-C	Green	12" / 300 mm	6	500	76	✓

## Features / Benefits

- Meets latest ITE 2007 standard
- Uniform non-pixelated illumination with " incandescent look "
- 90% reduction in power consumption vs. incandescent
- Long life; up to 10 times longer than incandescent
- Expanded view light distribution pattern suitable for span wire and fixed wire
- Easy to install with existing signal enclosure

## Specifications

- Operation temperature range: - 40 °C to +74 °C
- Operation voltage from 80 to 135 VAC RMS
- Power factor greater than 0.9
- Total Harmonics Distortion < 20%
- Turn on/ Turn off time < 75 msec
- Luminous Intensity and Color conforms with ITE VTCSH - LED
- Circular Signal Supplement
- Conform to MIL - STD - 810F for blowing rain
- Conform to MIL - STD - 883, Test Method 2007 for mechanical vibration
- Conform to MIL - STD - 883, Test Method 1010, for temperature cycling requirements
- Meet FCC Title 47, Subpart B Section 15 Regulations for electrical noise
- UV stabilized scratch resistant shell
- Fuse and transient suppressor incorporated for line and load protection

**EOI** EXCELLENCE OPTO. INC.  
EOI Group

### Address

1663 West 2nd Street, Pomona, CA 91766, U.S.A.  
Tel: 909-784-3333 Fax: 909-784-3330  
E-mail: Sales@eoius.com http://www.eoius.com

Distributed by **FORTRAN** www.fortrantraffic.com  
Central Office: 1-800-387-4555  
Western Office: 604-502-9680

