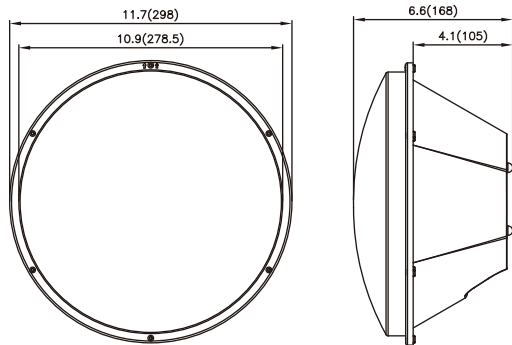
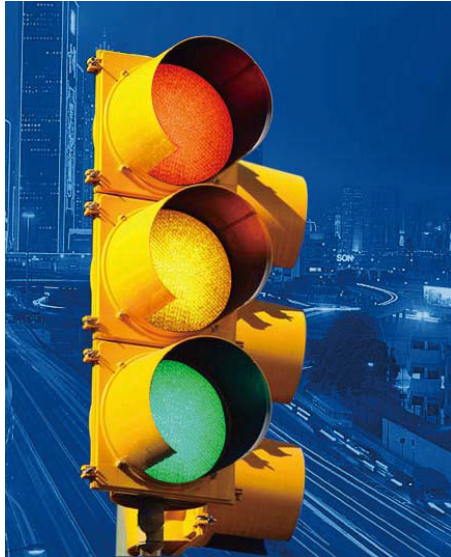




12 Inch Incandescent Look LED Traffic Signals



unit : inch (mm)

Features / Benefits

- Meets latest ITE 2005 standard
- High-Flux LED Technology with high efficiency
- Uniform non-pixelated illumination with "incandescent look"
- 90% reduction in power consumption vs. incandescent
- Long life; up to 10 times longer than incandescent
- Expanded view light distribution pattern suitable for span wire and fixed wire
- Easy to install with existing signal enclosure

Specifications

- Operation temperature range : -40 °C to +74 °C
- Operation voltage from 80 to 135 VAC RMS
- Power factor greater than 0.9
- Total Harmonics Distortion < 20%
- Turn on/ Turn off time < 75 msec
- Luminous Intensity and Color conforms with ITE VTCSH-LED
- Circular Signal Supplement
- Conform to MIL-STD-810F for blowing rain
- Conform to MIL-STD-883, Test Method 2007 for mechanical vibration
- Conform to MIL-STD-883, Test Method 1010, for temperature cycling requirements
- Meet FCC Title 47, Subpart B Section 15 Regulations for electrical noise
- UV stabilized scratch resistant shell
- Fuse and transient suppressor incorporated for line and load protection
- "Tested to CSA standard C22.2 No 207-M89" by ETL

Tinted Lens Series

Model Number	Color	Dimension	Power Consumption (Watt) (Typ.)	Dominant Wavelength (nm) (Typ.)	Peak Minimum Maintained Luminous Intensity (cd) (min.)	Meet ITE 2005 Spec.
TRV-R12SG-D2T	Red	12" / 300 mm	6.5	623	365	✓
TRV-Y12SG-D1T	Amber	12" / 300 mm	17	590	910	✓
TRV-G12SG-D2T	Green	12" / 300 mm	10	500	475	✓

Clear Lens Series

Model Number	Color	Dimension	Power Consumption (Watt) (Typ.)	Dominant Wavelength (nm) (Typ.)	Peak Minimum Maintained Luminous Intensity (cd) (min.)	Meet ITE 2005 Spec.
TRV-R12SG-D2T-C	Red	12" / 300 mm	6.5	623	365	✓
TRV-Y12SG-D1T-C	Amber	12" / 300 mm	17	590	910	✓
TRV-G12SG-D2T-C	Green	12" / 300 mm	10	500	475	✓

EOI EXCELLENCE OPTO. INC.
EOI Group

Address

1663 West 2nd Street, Pomona, CA 91766, U.S.A.
Tel : 909-784-3333 Fax : 909-784-3330
E-mail : Sales@eoius.com http://www.eoius.com

Distributed by **FORTRAN** www.fortrantraffic.com

Central Office: 1-800-387-4555

Western Office: 604-502-9680



COPYRIGHT ©2010 EXCELLENCE OPTO. INC.