



12" Circular LED Pedestrian Signal

Preliminary

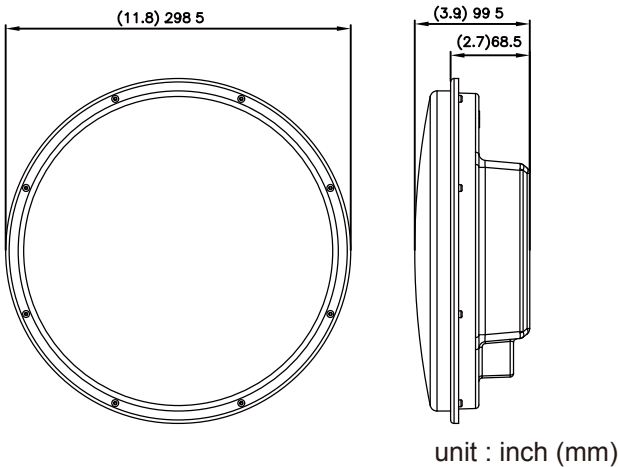


Features / Benefits

- High efficiency & long life LED light source
- Failure of a single LED in the Hand and Man icons results in loss of light from that LED only
- Easy to install with existing signal enclosure
- Portland Orange for Hand and Lunar White for Man

Specifications

- Operating Voltage Range : 80 VAC to 135VAC (120VAC nominal)
- Operating Temperature Range : -40 °C to +74 °C
- Power Factor > 0.9
- Total Harmonic Distortion < 20%
- Meets FCC Title 47, Subpart B, Section 15 regulations for electrical noise
- Conforms to MIL-STD-810F for rain and blowing rain
- Conforms to MIL-STD-883, Test Method 1010, for temperature cycling requirements
- Conforms to MIL-STD-883, Test Method 2007, for mechanical vibration
- "T ested to CSA standard C22.2 No 207-M89" by ETL



Model Number	Color	Description	Dimension	Power Consumption (Watt) (Typ.)	Symbol
TRP-C12DD2C3	Portland Orange	Hand	12" / 300 mm	7.5	Outline
	White	Man	12" / 300 mm	7.5	Outline
TRV8-0070	Portland Orange	Countdown	12" / 300 mm	9	Full



Distributed by **FORTRAN** www.fortrantraffic.com
 Central Office: 1-800-387-4555
 Western Office: 604-502-9680

Address

1663 West 2nd Street, Pomona, CA 91766, U.S.A.
 Tel : 909-784-3333 Fax : 909-784-3330
 E-mail : Sales@eoius.com http : //www.eoius.com



COPYRIGHT ©2010 EXCELLENCE OPTO. INC.