



8" Round Incandescent Look LED Bicycle Signals

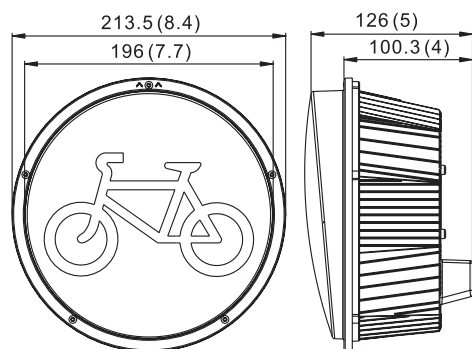


Features / Benefits

- Uniform non-pixelated illumination with "incandescent look"
- 90% reduction in power consumption vs. incandescent
- Long life; up to 10 times longer than incandescent
- Expanded view light distribution pattern suitable for span wire and fixed wire
- Easy to install with existing signal enclosure

Specifications

- Operation temperature range: -40 °C to +74 °C
- Operation voltage from 80 to 135 VAC
- UV stabilized scratch resistant shell
- Fuse and transient suppressor incorporated for line and load protection



Unit: mm (inch)

Model Number	Color	Dimension	Operation Voltage (VAC)	Power Consumption (Watt) (Typ.)	Dominant Wavelength (nm) (Typ.)	Peak Minimum Maintained Luminous Intensity (cd) (Min.)
TRB-R08SG-D2T-C	Red	8" / 200 mm	80 ~ 135	6.5	625	> 100
TRB-Y08SG-D2T-C	Yellow	8" / 200 mm	80 ~ 135	9.5	590	> 100
TRB-G08SG-D2T-C	Green	8" / 200 mm	80 ~ 135	6.5	500	> 100

Distributed by **FORTTRAN** www.fortrantraffic.com

Central Office: 1-800-387-4555

Western Office: 604-502-9680

