

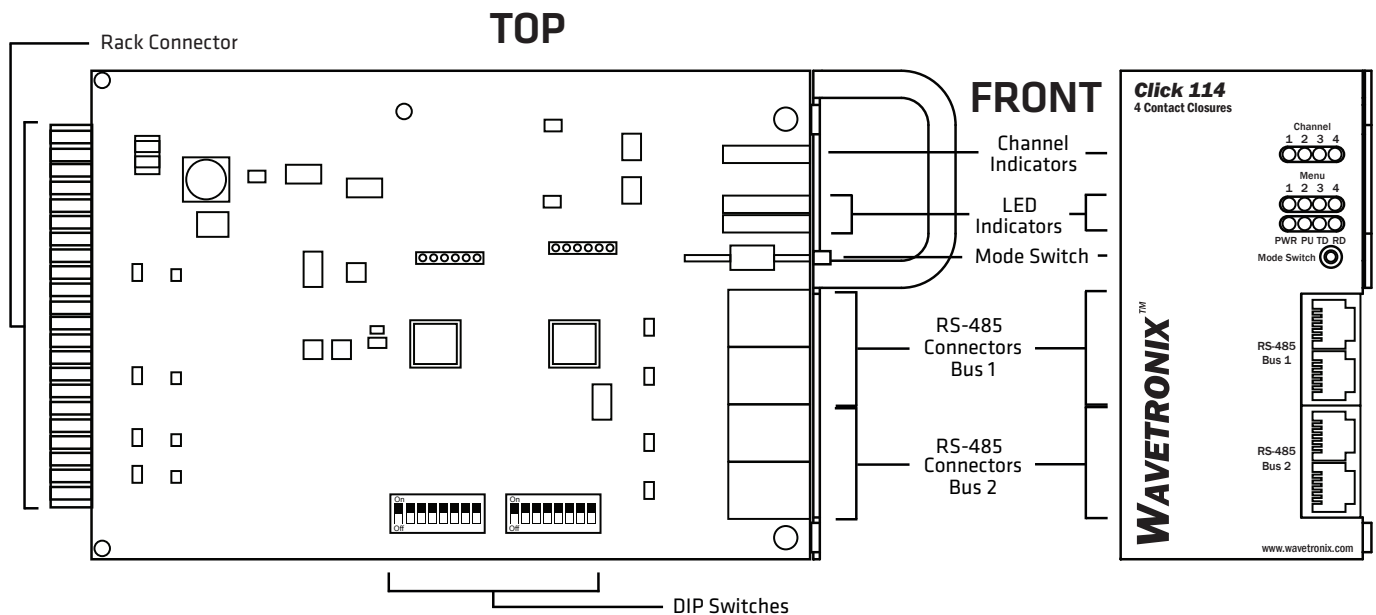


## Detector Rack Cards

The Click 112/114 are 2-/4-channel contact output rack cards that plug into any standard detector rack card slot in any cabinet type. Each output is electrically isolated and is normally open. When the cards receive the appropriate serial message from SmartSensor™ sensors, they will close the contact outputs.

### Features

- Compatible with NEMA TS1 and TS2, 170, and 2070 traffic controllers
- Plugs into any standard input file rack card slot
- Fail-safe mode in case of interruption of data flow
- Dual communications ports for separate data and configuration communication
- Uses industry-standard RS-485 communications
- Displays detection via LEDs on faceplate
- Automatically sets baud rate
- Solid state outputs
- Configurable via hardware (DIP switches) or software (front panel interface or Click Supervisor)
- Software configuration is read-only when in Hardware Configuration mode
- Conformal coated



## Technical Specifications

### Physical

- Weight: 0.25 lbs. (0.11 kg) / 0.29 lbs. (0.13 kg)
- Physical dimensions: 8.3 in. x 4.5 in. x 1.2 in. (21.1 cm x 11.4 cm x 3 cm) / 8.3 in. x 4.5 in. x 2.4 in. (21.1 cm x 11.4 cm x 6.1 cm)
- Ambient operating temp: -29°F to 165°F (-34°C to 74°C)
- Humidity: up to 95% RH

### Mounting

- Inserts into an input file rack

### Power

- Power supply voltage: 9–30 VDC
- Power consumption: 1 W

### Connections

- Detection and power: 44 terminal card edge connector
- Four RJ-11 jacks: two for RS-485 bus 1 and two for RS-485 bus 2

### Communication

- Has two independent RS-485 buses, so that the device can be configured without interrupting data flow
- Vehicle information to traffic controller via contact closures

### Baud Rates

- Supports the following baud rates:
  - 9600 bps
  - 19200 bps
  - 38400 bps
  - 57600 bps

### DIP Switch Configuration Features

- Separate DIP switches for baud rate and channel mapping selection
- DIP switch settings disable faceplate or software configurability

### Faceplate Configuration Features

- Mode Switch controls menu operation
- Detection LEDs (red) display the current detection state
- Menu LEDs (Level 2) (red) lets you view and set menu options
- Menu LEDs (Level 1) displays menu item selected, as well as the following status indications:
  - Red LED (PWR) indicates the device has power
  - Blue LED (PU) is reserved for future use
  - Green LED (TD) indicates device is transmitting data
  - Yellow LED (RD) indicates device is receiving data
- Supports configuration of baud rate and channel mapping settings

## Ordering Information

Click 112 2-channel detector rack card  
**CLK-112**

Click 114 4-channel detector rack card  
**CLK-114**

## Wavetronix

78 East 1700 South

Provo, UT 84606

801.734.7200

sales@wavetronix.com

www.wavetronix.com

## Software Configuration Features

- Comes with Click Supervisor, configuration software with the following features:
  - Runs on Pocket PC or Windows desktop or laptop PC (Windows XP and newer)
  - Configures serial communication settings including serial baud rates
  - Configures channel mapping settings
  - Can remotely and directly upgrade the device firmware to add new features to the device
  - Can save/open a configuration to/from a file, allowing a common configuration to be easily programmed into many devices
  - Has customizable drivers that are stored in an XML file that describes the settings for a device as well the graphical user interface for that driver in the configuration software

## Data Conversion

- Outputs traffic data as contact closures specified by a Wavetronix SmartSensor

## Fail-safe Mode

- Enters a fail-safe mode if it has lost communications with a sensor for more than 10 seconds
- In fail-safe mode, all channel outputs are asserted
- Fail-safe mode will be exited when communication with sensor is restored

## Class 4 Compliance

- Complies with the EN 61000-4-5 Class 4 lightning surge protection on the DC input



### Contact Closure Outputs

- Dissipates up to a 600 W power surge received on any contact closure output terminal
- Contact closure output terminals can withstand 50 V continuously
- Contact closure outputs are less than 8 ohms in conduction state
- Contact closure outputs in non-conducting state leak less than 1uA
- Contact closure outputs can switch up to 150 mA

### Pocket PC & PC Configuration Software

- Comes with Click Supervisor, configuration software with the following features:
  - Runs on Pocket PC or Windows desktop or laptop PC (Windows 2000 and newer)
  - Configures serial communication settings including serial baud rates
  - Can remotely and directly upgrade the device firmware to add new features to the device
  - Can save/open a configuration to/from a file, allowing a common configuration to be easily programmed into many devices
  - Has customizable drivers that are stored in an XML file that describes the settings for a device as well the graphical user interface for that driver in the configuration software

### Remote Upgradeability

- Flash memory can be remotely upgraded to add functionality to the firmware when new features have been developed to improve the performance of the installation

### Testing

- Passes manufacturer's test before shipping
- Tested under NEMA TS2-2003

### Extended Support

- Extended support options are available from Wavetronix; contact a Wavetronix representative for more information

### Warranty

- One-year warranty against material and workmanship defect (see Click Warranty datasheet for complete details)