



## Struthers-Dunn

407 East Smith Street, Suite B

Timmonsville, SC 29161

Telephone: (843)346-4427

Fax: (843)346-4465

Email: [info@struthers-dunn.com](mailto:info@struthers-dunn.com)

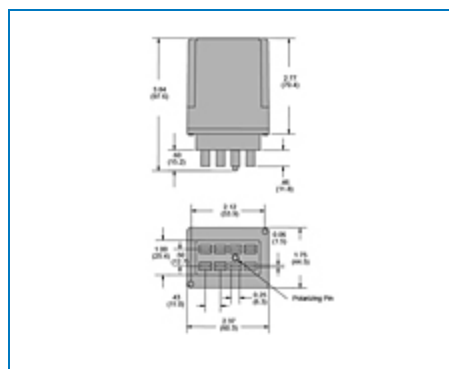
Website: [www.struthers-dunn.com](http://www.struthers-dunn.com)

# Item # 21XBXPL-240VAC, 21/136 Series - Flash Transfer Special Purpose Relays

The 21 and 136 series flash transfer relays have a proven industry record of reliability. Their rugged design has allowed the products to be plugged in and left, for years of service. Recent changes in lighting techniques from incandescent to LED have prompted us to respond with a redesigned relay better suited for the low currents of LED lighting, but equally usable with tungsten lamps.

Additional contact configurations and coil options are available

See Data sheet for additional info. Please use the RFQ/RFI tab above to submit your request.



[Specifications](#) | [Contacts](#) | [Coil](#) | [Timing](#) | [Dielectric Strength](#) | [Temperature](#) | [Life Expectancy](#) | [Miscellaneous](#)

Specifications

<b>Series</b>	21
<b>Contact Arrangement</b>	XBX - (2 form C - DPDT)
<b>Features</b>	Polycarbonate cover Light Pipe for coil voltage indicator
<b>Coil Voltage</b>	240 VAC

## Contacts

<b>Contact Configuration</b>	DPDT
<b>Contact Material</b>	Silver Alloy
<b>Contact Rating</b>	30 A
<b>Contact Rating 120 / 240VAC Resistive</b>	30 A
<b>Contact Rating 28VDC Resistive</b>	30 A
<b>Motor 120VAC 1 Phase</b>	1 hp
<b>Motor 240VAC 3 Phase</b>	2 hp
<b>120VAC Tungsten</b>	20 A
<b>Contact Resistance, Initial</b>	100 milliohms max at 6VDC

## Coil

<b>Coils Available</b>	AC and DC
<b>Nominal Coil Power</b>	2.4 VA
<b>Input Voltage Tolerance - AC</b>	75% to 110% of nominal
<b>Input Voltage Tolerance - DC</b>	70% to 110% of nominal
<b>Drop-out voltage</b>	10% of nominal
<b>Duty</b>	Continuous

## Timing

Operate Time (max)	20 ms
Release Time (max)	20 ms

## Dielectric Strength

Across Open Contacts	500 Vrms
Between Mutually Insulated Point	1500 Vrms
Insulation Resistance	10,000 Mohms min at 500VDC

## Temperature

Operating	-34 to 74 °C
	-30 to 165 °F
Storage	-40 to 105 °C
	-40 to 221 °F

## Life Expectancy

Electrical (full load)	200,000
Mechanical (no load)	5,000,000

## Miscellaneous

Mounting Position	Any
Enclosure	Clear Polycarbonate
Weight	7.2 oz
	205 g

