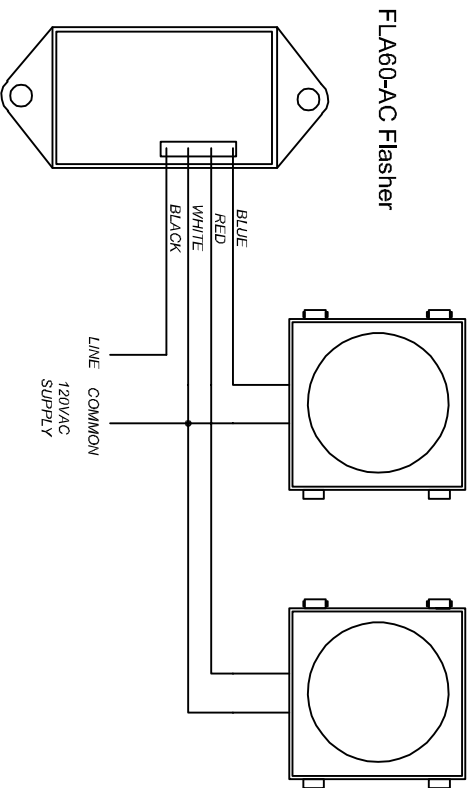
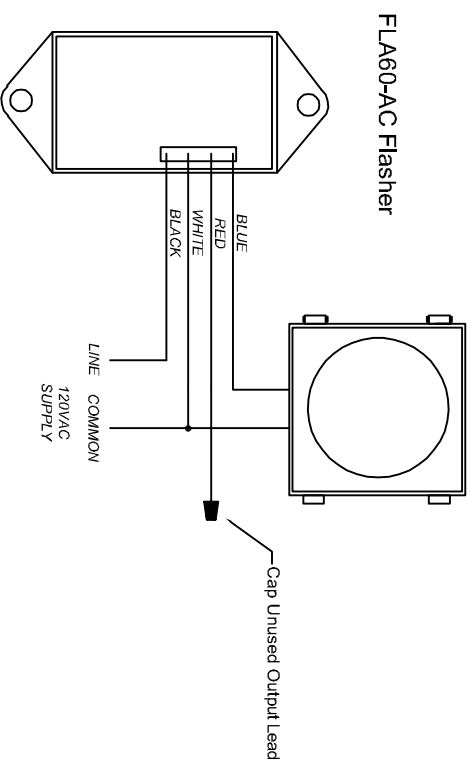


LED or Incandescent Beacons



Double Pole Wiring Diagram

LED or Incandescent Beacon



Single Pole Wiring Diagram

Electrical Specs:

Power Input: 120VAC 60Hz (+/- 3Hz)
 Max Load: 2A RMS per Output Channel
 Flash Rate: 56.25 Flashes per Minute

Wiring Colour Code:

Black: AC Hot Feed
 White: AC Return
 Blue: Output Circuit #1
 Red: Output Circuit #2

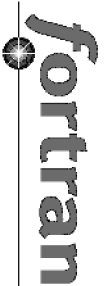
Physical Specs:

Cube Dimensions: 3"(7.62cm)W x 1.6"(4cm)D x 1"(2.54cm)H
 Weight: 0.2lbs (0.08kg)
 Wiring: 12" (30cm) Leads; c/w Tinned Ends

Features:

- No Minimum Load Required
- LED or Incandescent Loads
- Steady Flash Rate Over Entire NEMA Temperature Range

NOTICE:
 This document is the property of FORTRAN TRAFFIC SYSTEMS LTD. and MAY NOT be
 REPRODUCED, COPIED, STORED, TRANSMITTED, OR SHOWN to a third party without written permission.



Drawn By:	Sean Breen
Date:	Friday, October 13th 2017
Part Number:	-FLA60-AC

TITLE:

FLA60-AC Wiring Diagram