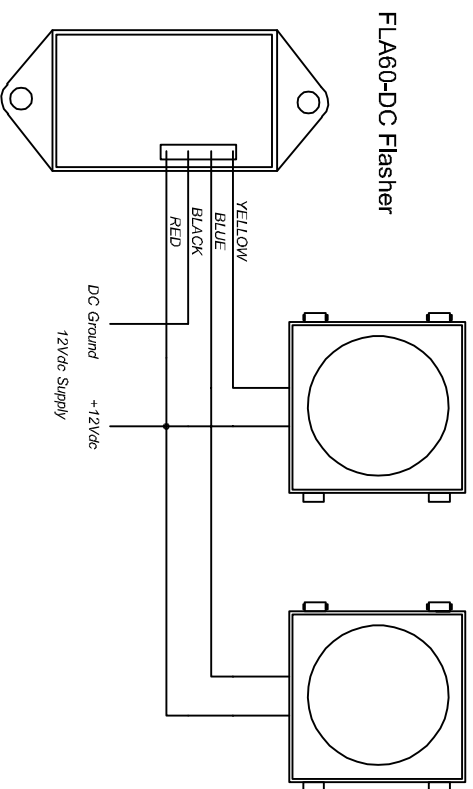
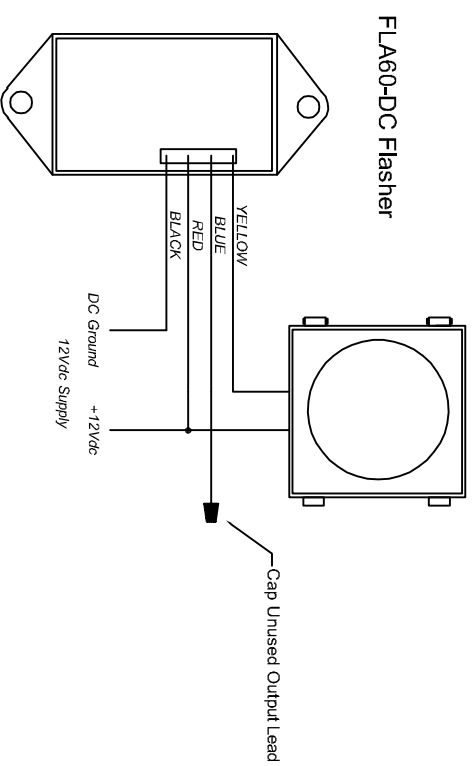


12Vdc LED Beacons



Double Pole Wiring Diagram

12Vdc LED Beacon



Single Pole Wiring Diagram

Electrical Specs:

Power Input: 12VDC
 Max Load: 4A per Output Channel
 Flash Rate: 60 Flashes per Minute

Wiring Colour Code:

Red: +12VDC
 Black: DC Ground
 Yellow: Output Circuit #1
 Blue: Output Circuit #2

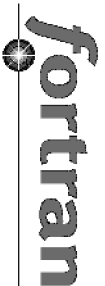
Physical Specs:

Cube Dimensions:
 3"(7.62cm)W x 1.6"(4cm)D x 1"(2.54cm)H
 Weight: 0.2lbs (0.08kg)
 Wiring: 12" (30cm) Leads; c/w Tinned Ends

Features:

- No Minimum Load Required
- Low Voltage (12VDC) LED Modules
- Steady Flash Rate Over Entire NEMA Temperature Range

NOTICE:
 This drawing is the property of FORTRAN TRAFFIC SYSTEMS LTD. and MAY NOT be
 REPRODUCED, STORED, TRACED, REBROWNSHOWN or PASSED on in any form without written permission.



Drawn By: Sean Breen
 Date: Friday, March 2nd 2018
 Part Number: -FLA60-DC

TITLE:

FLA60-DC Wiring Diagram