



JSF
TECHNOLOGIES
SOLAR TRAFFIC SOLUTIONS

www.JSFTech.com

sales@JSFTech.com

1-800-990-2454

AB-5800-20W

Pedestrian Activated LED Flashing Signs



5800-20W
44° Standard Angle



AVAILABLE WITH ANY STANDARD SIGN.
CUSTOM SIGNS ARE AVAILABLE

SELF-CONTAINED 20 WATT SOLAR ENGINE



Solar Panel
Solar Cell - Monocrystalline Silicon
Rated Power (Pmp) 20 Watts
Rated Voltage (Vmp) 18 VDC
Rated Current (Imp) 1.1 Amps
CE and TUV certified

Solar Angle 44° (Standard)

Standard Battery Bank AGM 12V, 18 Ah - UL Recognized, field replaceable

Cold Weather Battery Bank Option AGM 12V, 16 Ah - UL Recognized, field replaceable

Solar Engine Housing Material A5052 Sheet Aluminum (Enclosure)
6061-T6 Aluminum (Mount)

Solar Engine Dimensions 15.75" x 13.25" X 4.5" (40 x 33.7 x 11.5cm)*

POWER MANAGEMENT

Rated Usage 300 cycles per day, 25 second activation

Charged Capacity Up to 30 days at rated usage

Automatic Light Control (ALC) Various stages of brightness for different solar conditions and battery levels

SYSTEM PROTECTION

Low Voltage Disconnect 9.5 VDC

Over Current Protection 1.8 Amp PTC auto-reset fuse

Self Monitoring Visual notification of sub-optimal operation

LED ROAD SIGN

Sign Style To be determined by customer

Standard Road Sign Sizes 24", 30", 36", or 48" and others upon request

Road Sign Configuration Single or Dual sign available

Std. LED Configuration Available in 6 or 8 LEDs per sign

LED Light Output 132 lumens

LED Size 0.75" (20mm)

LED Colors Amber, Red or White

COMMUNICATION

Band of Operation ISM Band (902-928 MHz)

Compliance FCC and IC Compliant

Range Up to 0.5 miles (800 m) with line of sight

Network Addresses 16 unique addresses to avoid interference between multiple crosswalk locations

Compatibility Can communicate with other AB units

SYSTEM OPTIONS

LED & Solar Engine Housing Colors Yellow, Black or Green (custom colors available)

Mounting Options Round Pole Collars: 2.5", 3.5", 5" and 6"
Square Wood Post Saddle: 4x4", 6x6"
Telespar & U-Channel: 2"
Side Mount Bracket: 12", 18" and custom lengths available
Custom Mounts Available

SYSTEM OVERVIEW

Compliance	FHWA MUTCD Compliant
Standard Operation	Pedestrian Activated via push button or JSFT remote transmitters
Flash Pattern Options	MUTCD Standard (0.5 seconds ON, 0.5 seconds OFF) JSFT Strobe Energy Efficient Flash Pattern**
Activation Duration	Variable from 5 seconds to 4 hours
Std. Operating Temperature	14°F to +165°F (-10°C to +74°C)
Cold Weather Upgrade Option	-40°F to +176°F (-40°C to +80°C)
System Voltage	12 VDC

SOLAR ENGINE AVAILABLE WITH STANDARD COLOURS; YELLOW, BLACK, OR GREEN. CUSTOM COLOURS ARE ALWAYS AVAILABLE.



SALES

Toll-Free 1.800.990.2454
sales@jsftech.com

SUPPORT

Toll-Free 1.800.990.2454
support@jsftech.com

ADDRESS

6582 Bryn Road,
Victoria, BC V8M 1X6

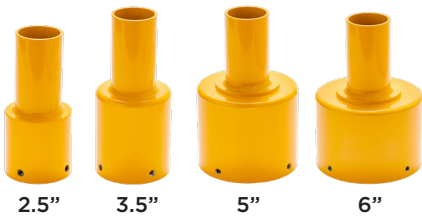
WARRANTY 5-year Limited Warranty for defects in workmanship and materials (excludes batteries and vandalism)

Distributed by **FORTTRAN** www.forttrantraffic.com
Central Office: 1-800-387-4555

*All measurements and weights are approximate **50% power consumption of MUTCD

AB-5800-20W

Pedestrian Activated LED Flashing Signs



2.5" 3.5" 5" 6"

ROUND POLE MOUNT



4x4" 6x6"

WOOD SADDLE MOUNT



12"

18"

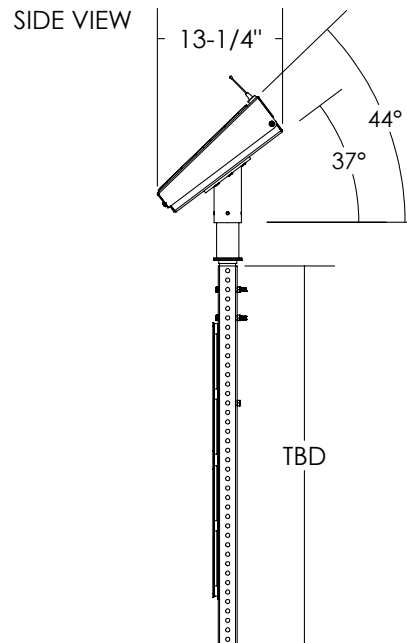
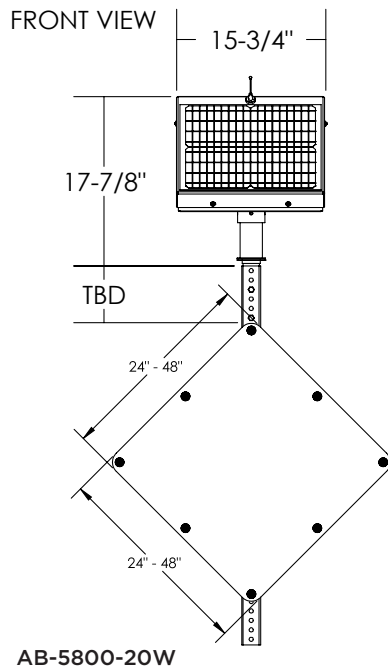
MOUNTING ARMS
(CUSTOM LENGTHS AVAILABLE)



2"

TELESPAR
MOUNT

SOLAR ENGINE MOUNTING OPTIONS



SYSTEM DRAWINGS

AB-5800-40W


Pedestrian Activated LED Flashing Signs



5800-40W
44° Standard Angle

AVAILABLE WITH ANY STANDARD SIGN.
CUSTOM SIGNS ARE AVAILABLE

SELF-CONTAINED 40 WATT SOLAR ENGINE

	Solar Panel Solar Cell - Monocrystalline Silicon Rated Power (Pmp) 40 Watts Rated Voltage (Vmp) 18 VDC Rated Current (Imp) 2.2 A Certifications: CE and TUV certified
	Solar Angle 44° (Standard)
	Standard Battery Bank 2 x AGM 12V, 18 Ah - UL Recognized, field replaceable
	Cold Weather Battery Bank Option 2 x AGM 12V, 16 Ah - UL Recognized, field replaceable
	Solar Engine Housing Material A5052 Sheet Aluminum (Enclosure) 6061-T6 Aluminum (Mount)
	Solar Engine Dimensions 30.875" x 13.25" x 4.5" (78.4 x 33.7 x 11.5cm)*

POWER MANAGEMENT

Rated Usage	300 cycles per day, 25 second activation
Charged Capacity	Up to 30 days at rated usage
Automatic Light Control (ALC)	Various stages of brightness for different solar conditions and battery levels

SYSTEM PROTECTION

Low Voltage Disconnect	9.5 VDC
Over Current Protection	1.8 Amp PTC auto-reset fuse
Self Monitoring	Visual notification of sub-optimal operation

LED ROAD SIGN

Sign Style	To be determined by customer
Standard Road Sign Sizes	24", 30", 36", or 48" and others upon request
Road Sign Configuration	Single or Dual signs available
Std. LED Configuration	Available in 6 or 8 LEDs per sign
LED Light Output	132 lumens
LED Size	0.75" (20mm)
LED Colors	Amber, Red or White

COMMUNICATION

Band of Operation	ISM Band (902-928 MHz)
Compliance	FCC and IC Compliant
Range	Up to 0.5 miles (800 m) with line of sight
Network Addresses	16 unique addresses to avoid interference between multiple crosswalk locations
Compatibility	Can communicate with other AB units

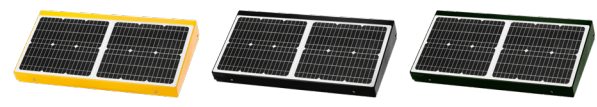
SYSTEM OPTIONS

LED & Solar Engine Housing Colors	Yellow, Black or Green (custom colors available)
Mounting Options	Round Pole Collars: 2.5", 3.5", 5" and 6" Square Wood Post Saddle: 4x4", 6x6" Telespar & U-Channel: 2" Side Mount Bracket: 12", 18" and custom lengths available Custom Mounts Available

SYSTEM OVERVIEW

Compliance	FHWA MUTCD Compliant
Standard Operation	Pedestrian Activated via push button or JSFT remote transmitters
Flash Pattern Options	MUTCD Standard (0.5 seconds ON, 0.5 seconds OFF) JSFT Strobe Energy Efficient Flash Pattern**
Activation Duration	Variable from 5 seconds to 4 hours
Std. Operating Temperature	14°F to +165°F (-10°C to +74°C)
Cold Weather Upgrade Option	-40°F to +176°F (-40°C to +80°C)
System Voltage	12 VDC

SOLAR ENGINE AVAILABLE WITH STANDARD COLOURS; YELLOW, BLACK, OR GREEN. CUSTOM COLOURS ARE ALWAYS AVAILABLE.



SALES Toll-Free 1.800.990.2454 sales@jsftech.com	SUPPORT Toll-Free 1.800.990.2454 support@jsftech.com	ADDRESS 6582 Bryn Road, Victoria, BC V8M 1X6
---	---	---

WARRANTY 5-year Limited Warranty for defects in workmanship and materials (excludes batteries and vandalism)



AB-5800-40W
Pedestrian Activated LED Flashing Signs



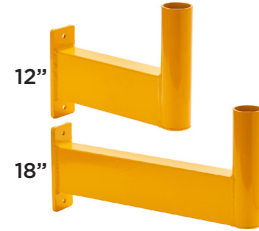
2.5" 3.5" 5" 6"

ROUND POLE MOUNT



4x4" 6x6"

WOOD SADDLE MOUNT



12"

18"

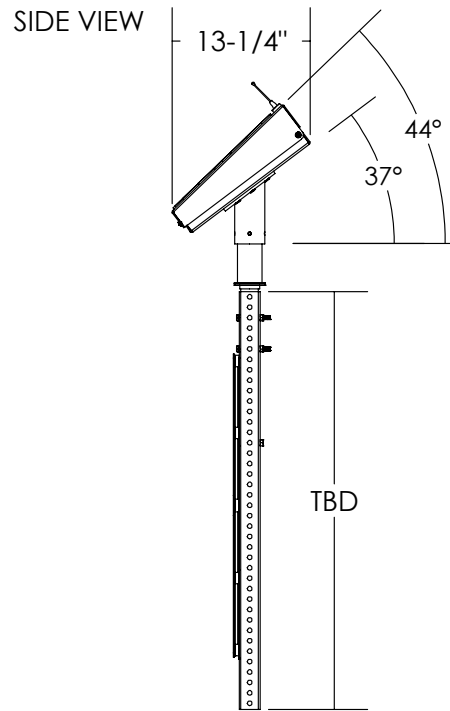
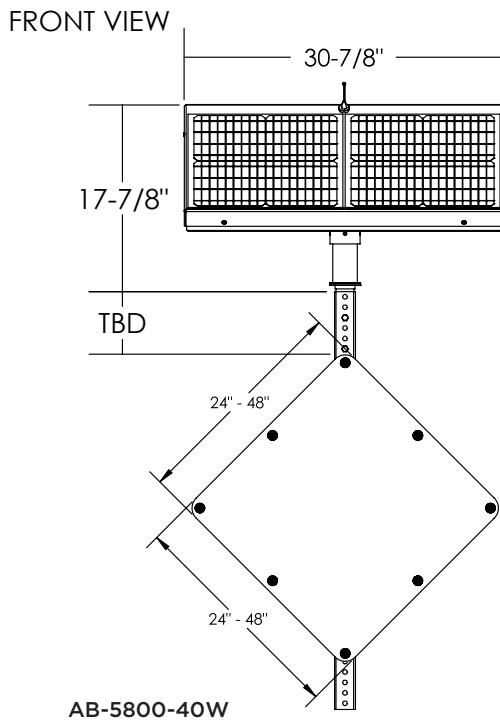
MOUNTING ARMS
(CUSTOM LENGTHS AVAILABLE)



2"

TELESPAR
MOUNT

SOLAR ENGINE MOUNTING OPTIONS



SYSTEM DRAWINGS

AB-5800-AC
Pedestrian Activated LED Flashing Sign



AC ENCLOSURE

Enclosure Material	0.08" Type 5052 H-32 aluminum
Enclosure Dimensions (Small)	12" x 12" x 4" (30 x 30 x 10cm)*
Enclosure Dimensions (Large)	16" x 14" x 8" (41 x 36 x 20cm)*
Standards	UL 508 Type 3R, 4, 4X, 12, and 13 CSA Type 3R, 4, 4X, 12, and 13
Compliance	NEMA Type 3R, 4, 4X, 12 and 13 JIC EGP-1-1967 IEC 60529, IP66
Enclosure Colors	Aluminum, Black, Green or Yellow (Custom Colors Available)



AC BRICK SPECIFICATIONS

Dimensions	6.375" x 1.625" x 1.25" @ 0.9 lbs (16.25 x 4.3 x 3.2 cm @ 0.41 kg)*
Power Supply Rating	120 VAC to 15 VDC Class 2 Supply
Standards	IP67, CE Certified, UL Recognized

SYSTEM PROTECTION

Over Current Protection	1.8 Amp PTC auto-reset fuse
Self Monitoring	Visual notification of sub-optimal operation

LED ROAD SIGN

Sign Style	To be determined by customer
Standard Road Sign Sizes	24", 30", 36", or 48" and others upon request
Road Sign Configuration	Single or Dual sign available
Std. LED Configuration	Available in 6 or 8 LEDs per sign
LED Light Output	132 lumens
LED Size	0.75" (20mm)
LED Colors	Amber, Red or White

COMMUNICATION

Band of Operation	ISM Band (902-928 MHz)
Compliance	FCC and IC Compliant
Range	Up to 0.5 miles (800 m) with line of sight
Network Addresses	16 unique addresses to avoid interference between multiple crosswalk locations
Compatibility	Can communicate with other AB units



AVAILABLE WITH ANY
STANDARD SIGN. CUSTOM
SIGNS ARE AVAILABLE

SYSTEM OVERVIEW

Compliance	FHWA MUTCD Compliant
Standard Operation	Pedestrian Activated via push button or JSFT remote transmitters
Flash Pattern Options	MUTCD Standard (0.5 seconds ON, 0.5 seconds OFF) JSFT Strobe Energy Efficient Flash Pattern**
Activation Duration	Variable from 5 seconds to 4 hours
Std. Operating Temperature	-40°F to +176°F (-40°C to +80°C)
System Voltage	120 VAC to 12 VDC

SALES

Toll-Free 1.800.990.2454
sales@jsftech.com

SUPPORT

Toll-Free 1.800.990.2454
support@jsftech.com

ADDRESS

6582 Bryn Road,
Victoria, BC V8M 1X6

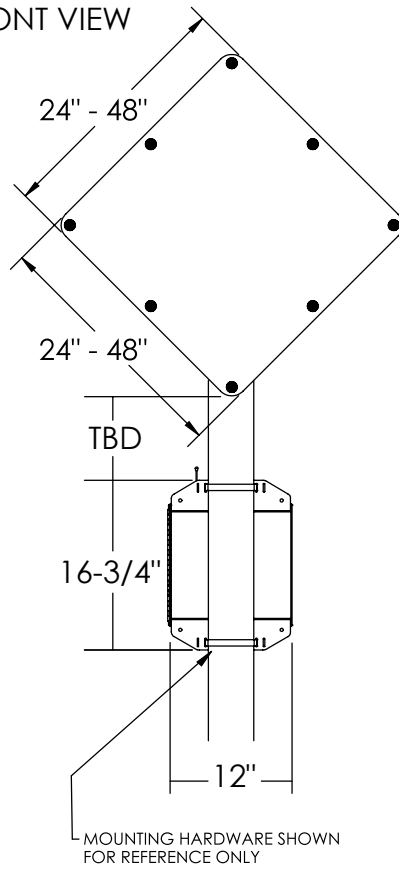
WARRANTY 5-year Limited Warranty for defects in workmanship and materials (excludes batteries and vandalism)



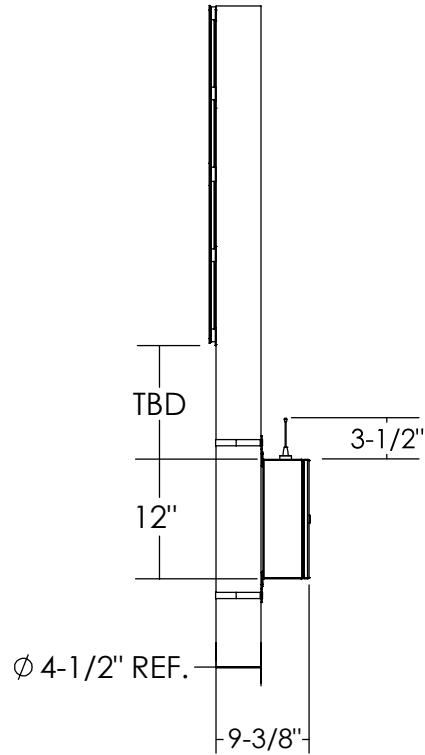
AB-5800-AC
Pedestrian Activated LED Flashing Sign



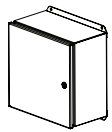
FRONT VIEW



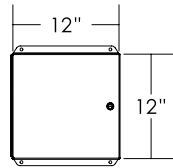
SIDE VIEW



AB-5800-AC



ISO VIEW

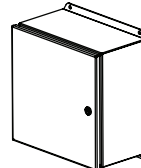


FRONT VIEW

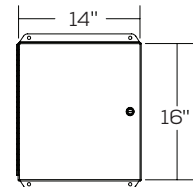


SIDE VIEW

SMALL AC CABINET



ISO VIEW



FRONT VIEW



SIDE VIEW

LARGE AC CABINET

SYSTEM DRAWINGS