


# AB-9207-20W

RRFB Rectangular Rapid Flashing Beacon



## SELF-CONTAINED 20 WATT SOLAR ENGINE

	Solar Cell - Monocrystalline Silicon Rated Power (Pmp) 20 Watts Rated Voltage (Vmp) 18 VDC Rated Current (Imp) 1.1 A Certifications: CE and TUV certified
Solar Angle	44° (Standard)
Standard Battery Bank	AGM 12V, 18 Ah - UL Recognized, field replaceable
Cold Weather Battery Bank Option	AGM 12V, 16 Ah - UL Recognized, field replaceable
Solar Engine Housing Material	A5052 Sheet Aluminum (Enclosure) 6061-T6 Aluminum (Mount)
Solar Engine Dimensions	15.75" x 13.25" x 4.5" (40 x 33.7 x 11.5cm)*

## POWER MANAGEMENT

Rated Usage	300 cycles per day, 25 second activation
Charged Capacity	Up to 30 days at rated usage
Automatic Light Control (ALC)	Various stages of brightness for different solar conditions and battery levels

## SYSTEM PROTECTION

Low Voltage Disconnect	9.5 VDC
Over Current Protection	1.8 Amp PTC auto-reset fuse
Self Monitoring	Visual notification of sub-optimal operation

## SINGLE RRFB LIGHT BAR

Standard Followed	ITE VTCSH-STD 2005
RRFB Housing Material	A5052 Sheet Aluminum (Lightbar) 6061-T6 Aluminum (Mount)
LED Size	3" x 7" (76.2 x 177.8mm)* x two per lightbar
Tell Tale LED Size	1" x 2" (25.5 x 51mm)*
Housing Dimensions	24" x 3.0625" x 3.75" (61cm x 7.75cm x 9.5cm)*
Std. LED Color Options	Amber or Red (custom colors available)
RRFB Mount	Universal Jaw Mount Telespar Jaw Mount Side Mount Bracket

## COMMUNICATION

Band of Operation	ISM Band (902-928 MHz)
Compliance	FCC and IC Compliant
Range	Up to 0.5 miles (800 m) with line of sight
Network Addresses	16 unique addresses to avoid interference between multiple crosswalk locations
Compatibility	Can communicate with other AB units

## SYSTEM OPTIONS

LED & Solar Engine Housing Colors	Yellow, Black or Green (custom colors available)
Mounting Options	Round Pole Collars: 2.5", 3.5", 5" and 6" Telespar Mount: 2" Square Wood Post Mount: 4" x 4", 6" x 6" Side Mount Bracket: 12", 18" and custom lengths available Custom Mounts Available

## SYSTEM OVERVIEW

Compliance	FHWA MUTCD compliant
Standard (Std.) Operation	Pedestrian Activated via push button or JSFT remote transmitters
Flash Pattern Options	RRFB Pattern (WW + S) FHWA IA-21 Approved
Activation Duration	Variable from 5 seconds to 4 hours
Std. Operating Temperature	14°F to +165°F (-10°C to +74°C)
Cold Weather Upgrade Option	-40°F to +176°F (-40°C to +80°C)
System Voltage	12 VDC
Packaged Dimensions	24" x 18" x 18" @ 44 lbs (61 x 45.7 x 45.7cm @ 20 kg)*

SIGNAL HEAD AND SOLAR ENGINE AVAILABLE WITH STANDARD COLOURS; YELLOW, BLACK, OR GREEN. CUSTOM COLOURS ARE ALWAYS AVAILABLE.



### SALES

Toll-Free 1.800.990.2454  
sales@jsftech.com

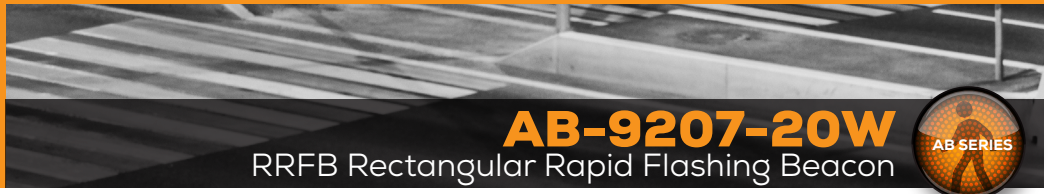
### SUPPORT

Toll-Free 1.800.990.2454  
support@jsftech.com

### ADDRESS

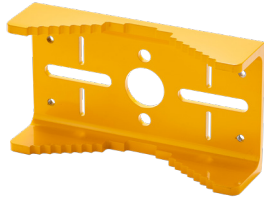
6582 Bryn Road,  
Victoria, BC V8M 1X6

**WARRANTY** 5-year Limited Warranty for defects in workmanship and materials (excludes batteries and vandalism)

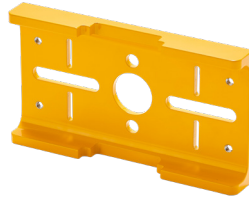


# AB-9207-20W

RRFB Rectangular Rapid Flashing Beacon



UNIVERSAL JAW MOUNT



TELESPAR JAW MOUNT



SIDE MOUNT BRACKET

## RRFB LIGHTBAR MOUNTING



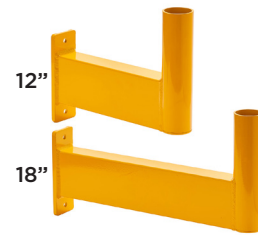
2.5" 3.5" 5" 6"

ROUND POLE MOUNT



4x4" 6x6"

WOOD SADDLE MOUNT

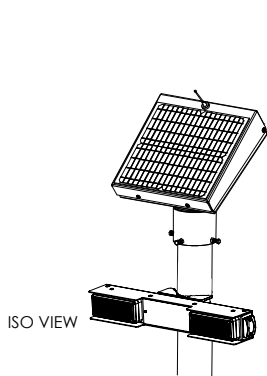


12" 18"  
MOUNTING ARMS  
(CUSTOM LENGTHS AVAILABLE)

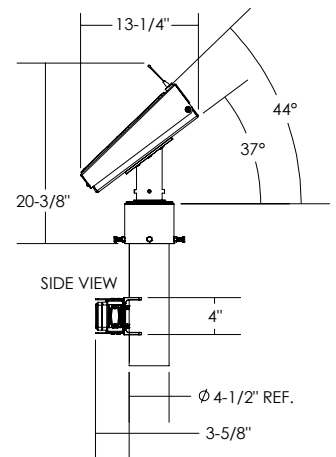
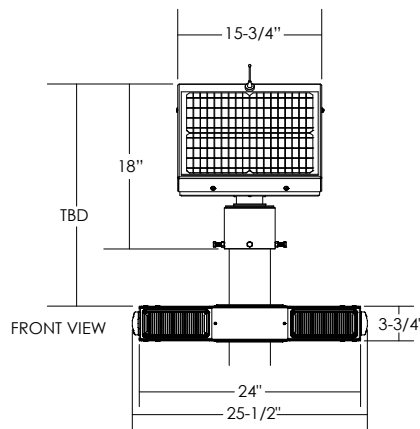


2"  
TELESPAR  
MOUNT

## SOLAR ENGINE MOUNTING OPTIONS



AB-9207-20W



## SYSTEM DRAWINGS