


# FL-1400-20W 24-Hour Flashing Beacon



## SELF-CONTAINED 20 WATT SOLAR ENGINE

	<b>Solar Panel</b> Solar Cell - Monocrystalline Silicon Rated Power (Pmp) 20 Watts Rated Voltage (Vmp) 18 VDC Rated Current (Imp) 1.1 Amps CE and TUV certified
	<b>Solar Angle</b> 7° (Flat) 44° (Standard)
	<b>Standard Battery Bank</b> AGM 12V, 18 Ah - UL Recognized, field replaceable
	<b>Cold Weather Battery Bank Option</b> AGM 12V, 16 Ah - UL Recognized, field replaceable
	<b>Solar Engine Housing Material</b> A5052 Sheet Aluminum (Enclosure) 6061-T6 Aluminum (Mount)
	<b>Solar Engine Dimensions</b> 15.75" x 13.25" X 4.5" (40 x 33.7 x 11.5cm)*

## POWER MANAGEMENT

<b>Charged Capacity</b>	Up to 30 days at rated usage
<b>Automatic Light Control (ALC)</b>	Various stages of brightness for different solar conditions and battery levels

## SYSTEM PROTECTION

<b>Low Voltage Disconnect</b>	9.5 VDC
<b>Over Current Protection</b>	1.8 Amp PTC auto-reset fuse
<b>Self Monitoring</b>	Visual notification of sub-optimal operation

## LED BEACON SIGNAL HEAD

<b>Standard Followed</b>	ITE VTCSH-STD 2005
<b>LED Beacon Signal Head Setup</b>	Single Head Pole Top Mounting
<b>Lens Material</b>	UV Stabilized Polycarbonate
<b>LED Housing</b>	100% Polycarbonate
<b>LED Size</b>	8" Diameter (200 mm)* 12" Diameter (300mm)*
<b>LED Housing Dimensions</b>	8" head - 14" x 10" x 6" (35 x 25 x 16 cm)* 12" head - 17" x 14" x 6" (44 x 25 x 17 cm)*
<b>Std. LED Color Options</b>	Amber or Red (custom colors available)

## SYSTEM OPTIONS

<b>LED &amp; Solar Engine Housing Colors</b>	Yellow, Black or Green (custom colors available)
<b>Mounting Options</b>	Round Pole Collars: 2.5", 3.5", 5" and 6" Square Wood Post Saddle: 4x4", 6x6" Telespar & U-Channel: 2" Side Mount Bracket: 12", 18" and custom lengths available Custom Mounts Available



AVAILABLE WITH RED LEDS FOR STOP SIGNS, AMBER LEDS FOR WARNING SIGNS

## SYSTEM OVERVIEW

<b>Compliance</b>	FHWA MUTCD Compliant
<b>Standard (Std.) Operation</b>	Continuous Flashing, 24-hours a day, 365 days a year Manual On/Off capability with user supplied switch
<b>Flash Pattern Options</b>	MUTCD Standard (0.5 seconds ON, 0.5 seconds OFF) JSFT Strobe Energy Efficient Flash Pattern**
<b>Std. Operating Temperature</b>	14°F to +165°F (-10°C to +74°C)
<b>Cold Weather Upgrade Option</b>	-40°F to +176°F (-40°C to +80°C)
<b>System Voltage</b>	12 VDC
<b>Packaged Dimensions</b>	8" head - 22" x 18" x 16" @ 36 lbs (56 x 46 x 41cm @ 16.3 kg)* 12" head - 24" x 18" x 18" @ 38 lbs (61 x 46 x 46cm @ 17.2 kg)*

SIGNAL HEAD AND SOLAR ENGINE AVAILABLE WITH STANDARD COLOURS; YELLOW, BLACK, OR GREEN. CUSTOM COLOURS ARE ALWAYS AVAILABLE.



### SALES

Toll-Free 1.800.990.2454  
sales@jsftech.com

### SUPPORT

Toll-Free 1.800.990.2454  
support@jsftech.com

### ADDRESS

6582 Bryn Road,  
Victoria, BC V8M 1X6

**WARRANTY** 5-year Limited Warranty for defects in workmanship and materials (excludes batteries and vandalism)

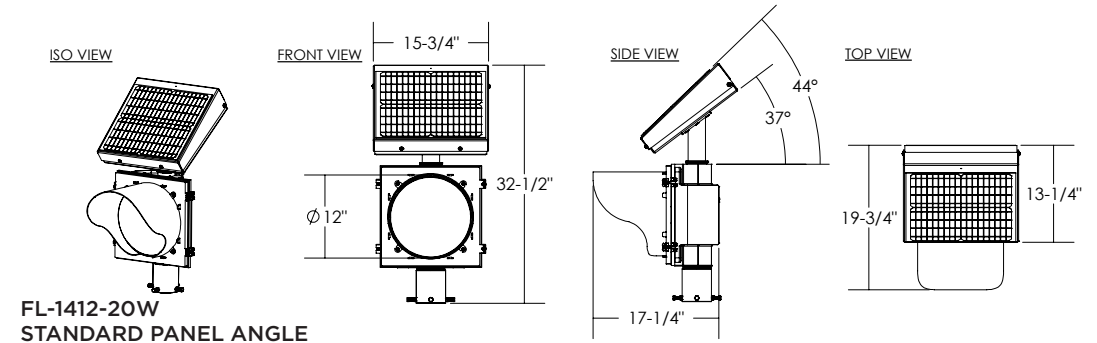
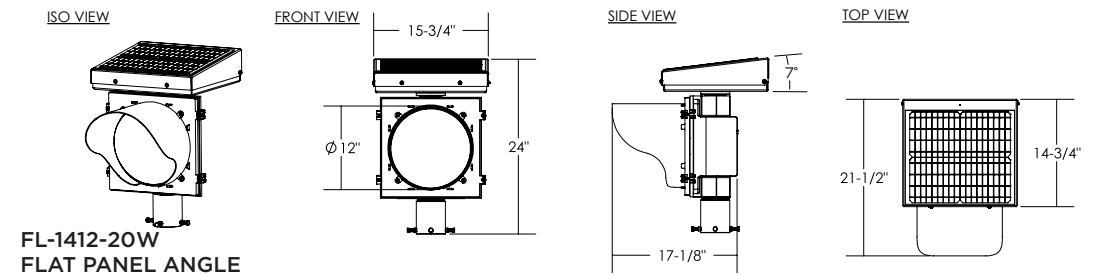
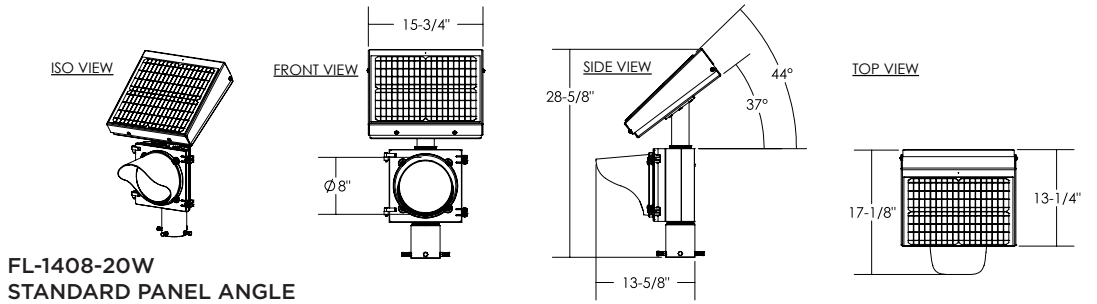
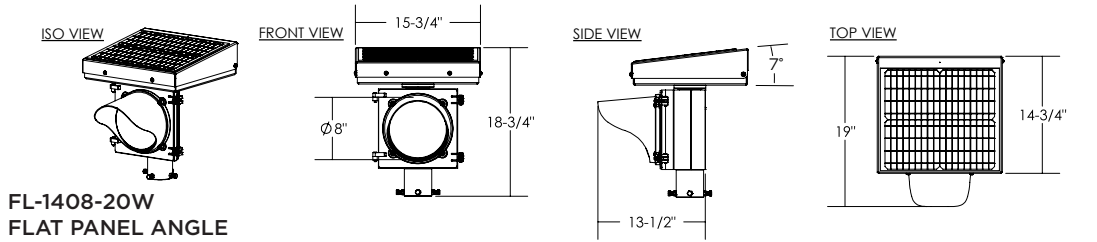


# FL-1400-20W 24-Hour Flashing Beacon

FL SERIES



## MOUNTING OPTIONS



## SYSTEM DRAWINGS

# FL-1400-40W 24-Hour Flashing Beacon


FL SERIES

1412-40W  
44° Standard Angle  
12" Amber LED



1408-40W  
7° Flat Angle  
8" Red LED

## SELF-CONTAINED 40 WATT SOLAR ENGINE

	<b>Solar Panel</b> Solar Cell - Monocrystalline Silicon Rated Power (Pmp) 40 Watts Rated Voltage (Vmp) 18 VDC Rated Current (Imp) 2.2 Amps CE and TUV certified
	<b>Solar Angle</b> 7° (Flat) 44° (Standard)
	<b>Standard Battery Bank</b> 2 x AGM 12V, 18 Ah - UL Recognized, field replaceable
	<b>Cold Weather Battery Bank Option</b> 2 x AGM 12V, 16 Ah - UL Recognized, field replaceable
	<b>Solar Engine Housing Material</b> A5052 Sheet Aluminum (Enclosure) 6061-T6 Aluminum (Mount)
	<b>Solar Engine Dimensions</b> 30.875" x 13.25" x 4.5" (78.4 x 33.7 x 11.5cm)*

## POWER MANAGEMENT

<b>Charged Capacity</b>	Up to 30 days at rated usage
<b>Automatic Light Control (ALC)</b>	Various stages of brightness for different solar conditions and battery levels

## SYSTEM PROTECTION

<b>Low Voltage Disconnect</b>	9.5 VDC
<b>Over Current Protection</b>	1.8 Amp PTC auto-reset fuse
<b>Self Monitoring</b>	Visual notification of sub-optimal operation

## LED BEACON SIGNAL HEAD

<b>Standard Followed</b>	ITE VTCSH-STD 2005
<b>LED Beacon Signal Head Setup</b>	Single Head Pole Top Mounting
<b>Lens Material</b>	UV Stabilized Polycarbonate
<b>LED Housing</b>	100% Polycarbonate
<b>LED Size</b>	8" Diameter (200 mm)* 12" Diameter (300mm)*
<b>LED Housing Dimensions</b>	8" head - 14" x 10" x 6" (35 x 25 x 16 cm)* 12" head - 17" x 14" x 6" (44 x 25 x 17 cm)*
<b>Std. LED Color Options</b>	Amber or Red (custom colors available)

## SYSTEM OPTIONS

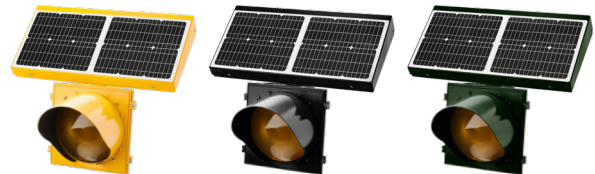
<b>LED &amp; Solar Engine Housing Colors</b>	Black, green or yellow, custom colors also available
<b>Mounting Options</b>	Round Pole Collars: 2.5", 3.5", 5" and 6" Square Wood Post Saddle: 4x4", 6x6" Telespar & U-Channel: 2" Side Mount Bracket: 12", 18" and custom lengths available Custom Mounts Available

AVAILABLE WITH RED LEDS FOR STOP SIGNS, AMBER LEDS FOR WARNING SIGNS

## SYSTEM OVERVIEW

<b>Compliance</b>	FHWA MUTCD compliant
<b>Standard (Std.) Operation</b>	Continuous Flashing, 24-hours a day, 365 days a year Manual On/Off capability with user supplied switch
<b>Flash Pattern Options</b>	MUTCD Standard (0.5 seconds ON, 0.5 seconds OFF) JSFT Strobe Energy Efficient Flash Pattern**
<b>Std. Operating Temperature</b>	14°F to + 165°F (-10°C to +74°C)
<b>Cold Weather Upgrade Option</b>	-40°F to +176°F (-40°C to +80°C)
<b>System Voltage</b>	12 VDC
<b>Packaged Dimensions</b>	8" head - 36" x 18" x 18" @ 58lbs (91 x 46 x 46 cm @ 26 kg) 12" head - 35" x 28" x 17" @ 70 lbs (89 x 71 x 43cm @ 32kg)*

SIGNAL HEAD AND SOLAR ENGINE AVAILABLE WITH STANDARD COLOURS; YELLOW, BLACK, OR GREEN. CUSTOM COLOURS ARE ALWAYS AVAILABLE.



### SALES

Toll-Free 1.800.990.2454  
sales@jsftech.com

### SUPPORT

Toll-Free 1.800.990.2454  
support@jsftech.com

### ADDRESS

6582 Bryn Road,  
Victoria, BC V8M 1X6

**WARRANTY** 5-year Limited Warranty for defects in workmanship and materials (excludes batteries and vandalism)



**JSF**  
TECHNOLOGIES  
SOLAR TRAFFIC SOLUTIONS

www.JSFTech.com

sales@JSFTech.com

1-800-990-2454



# FL-1400-40W 24-Hour Flashing Beacon



2.5" 3.5" 5" 6"  
ROUND COLLARS



12" 18"  
MOUNTING ARMS  
(CUSTOM LENGTHS AVAILABLE)

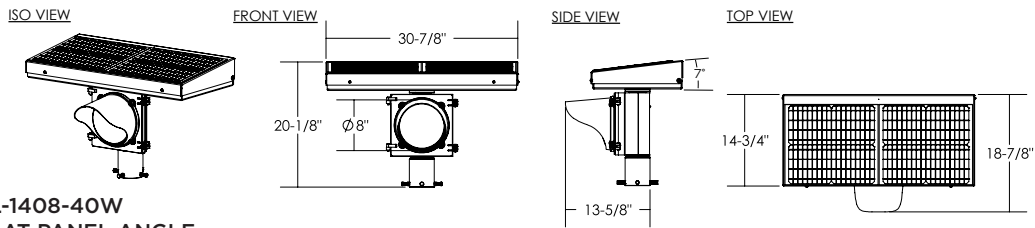


4x4" 6x6"  
WOOD POSTS

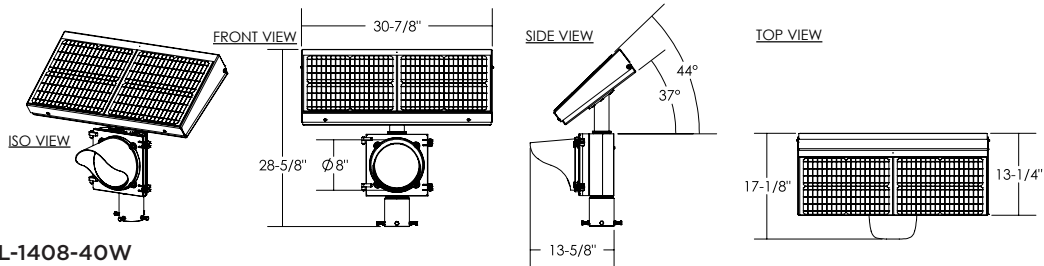


2"  
TELESPAR  
MOUNT

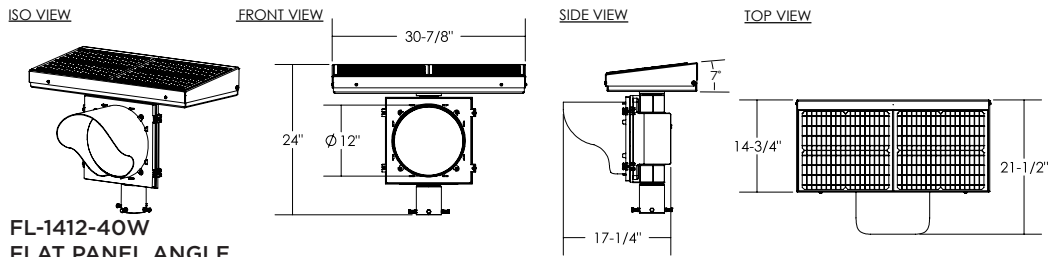
## MOUNTING OPTIONS



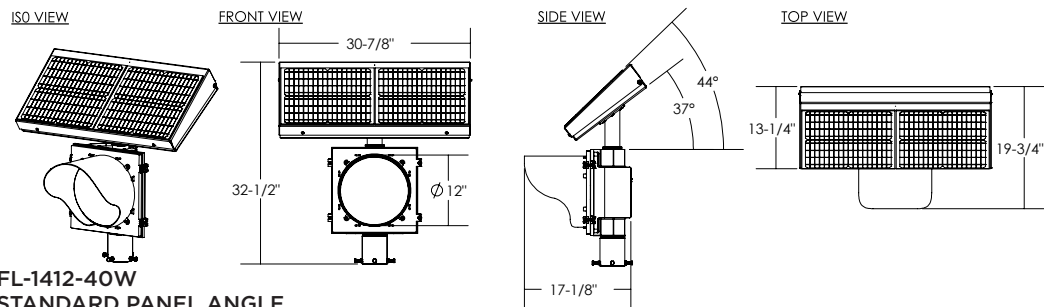
FL-1408-40W  
FLAT PANEL ANGLE



FL-1408-40W  
STANDARD PANEL ANGLE



FL-1412-40W  
FLAT PANEL ANGLE



FL-1412-40W  
STANDARD PANEL ANGLE

## SYSTEM DRAWINGS

# FL-1400-AC 24-Hour Flashing Beacon



## AC ENCLOSURE

<b>Enclosure Material</b>	0.08" Type 5052 H-32 aluminum
<b>Enclosure Dimensions (Small)</b>	12" x 12" x 4" (30 x 30 x 10cm)*
<b>Enclosure Dimensions (Large)</b>	16" x 14" x 8" (41 x 36 x 20cm)*
<b>Standards</b>	UL 508 Type 3R, 4, 4X, 12, and 13 CSA Type 3R, 4, 4X, 12, and 13
<b>Compliance</b>	NEMA Type 3R, 4, 4X, 12 and 13 JIC EGP-1-1967 IEC 60529, IP66
<b>Enclosure Colors</b>	Aluminum, Black, Green or Yellow (Custom Colors Available)



AVAILABLE WITH RED LEDS  
FOR STOP SIGNS, AMBER  
LEDS FOR WARNING SIGNS

## AC BRICK SPECIFICATIONS

<b>Dimensions</b>	6.375" x 1.625" x 1.25" @ 0.9 lbs (16.25 x 4.3 x 3.2 cm @ 0.41 kg)*
<b>Power Supply Rating</b>	120 VAC to 15 VDC Class 2 Supply
<b>Standards</b>	IP67, CE Certified, UL Recognized

## SYSTEM PROTECTION

<b>Over Current Protection</b>	1.8 Amp PTC auto-reset fuse
<b>Self Monitoring</b>	Visual notification of sub-optimal operation

## LED BEACON SIGNAL HEAD

<b>Standard Followed</b>	ITE VTCSH-STD 2005
<b>LED Beacon Signal Head Setup</b>	Single Head Pole Top Mounting
<b>Lens Material</b>	UV Stabilized Polycarbonate
<b>LED Housing</b>	100% Polycarbonate
<b>LED Size</b>	8" Diameter (200 mm)* 12" Diameter (300mm)*
<b>LED Housing Dimensions</b>	8" - 14" x 10" x 6" (35 x 25 x 16 cm)* 12" - 17" x 14" x 6" (44 x 25 x 17 cm)*
<b>Std. LED Color Options</b>	Amber or Red (custom colors available)

## SYSTEM OPTIONS

<b>LED Housing Colors</b>	Yellow, Black or Green (custom colors available)
<b>Mounting Options</b>	Round Pole Collars: 2.5", 3.5", 5" and 6" Square Wood Post Saddle: 4x4", 6x6" Telespar & U-Channel: 2" Side Mount Bracket: 12", 18" and custom lengths available Custom Mounts Available

## SYSTEM OVERVIEW

<b>Compliance</b>	FHWA MUTCD Compliant
<b>Standard (Std.) Operation</b>	Continuous Flashing, 24-hours a day, 365 days a year Manual On/Off capability with user supplied switch
<b>Flash Pattern Options</b>	MUTCD Standard (0.5 seconds ON, 0.5 seconds OFF) JSFT Strobe Energy Efficient Flash Pattern**
<b>Std. Operating Temperature</b>	-40°F to +176°F (-40°C to +80°C)
<b>System Voltage</b>	12 VDC
<b>Packaged Dimensions</b>	Varies depending on configuration and installation method

SIGNAL HEAD AND SOLAR ENGINE AVAILABLE WITH STANDARD COLOURS;  
YELLOW, BLACK, OR GREEN. CUSTOM COLOURS ARE ALWAYS AVAILABLE.



**SALES**  
Toll-Free 1.800.990.2454  
sales@jsftech.com

**SUPPORT**  
Toll-Free 1.800.990.2454  
support@jsftech.com

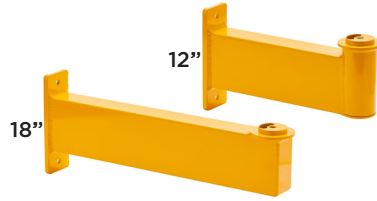
**ADDRESS**  
6582 Bryn Road,  
Victoria, BC V8M 1X6

**WARRANTY** 5-year Limited Warranty for defects in workmanship and materials (excludes batteries and vandalism)

# FL-1400-AC 24-Hour Flashing Beacon



2.5" 3.5" 5" 6"  
ROUND COLLARS



12" 18"  
MOUNTING ARMS  
(CUSTOM LENGTHS AVAILABLE)

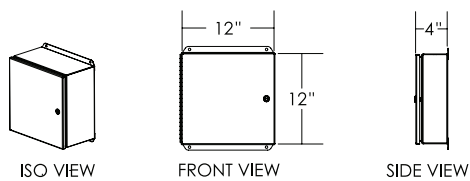
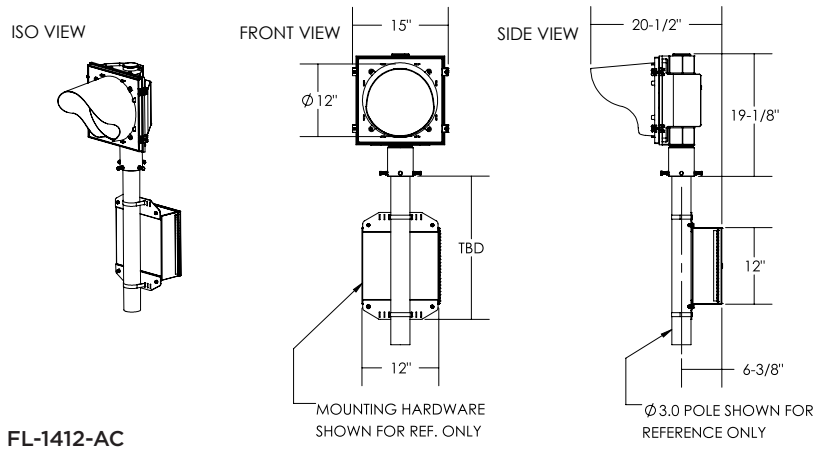
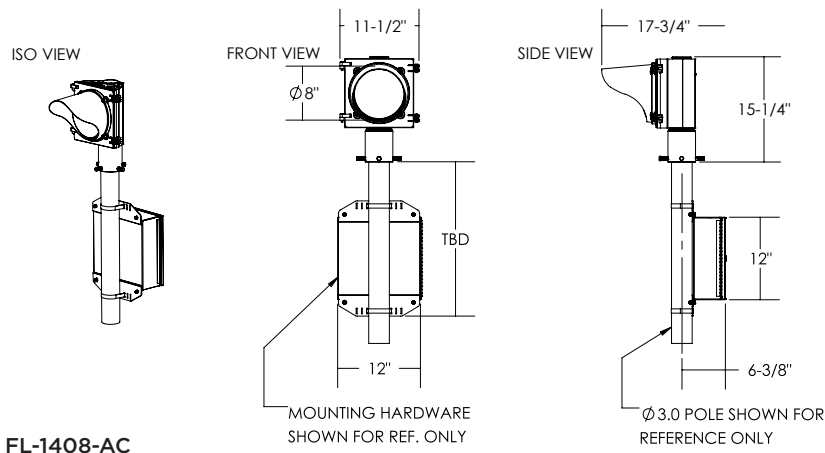


4x4" 6x6"  
WOOD POSTS

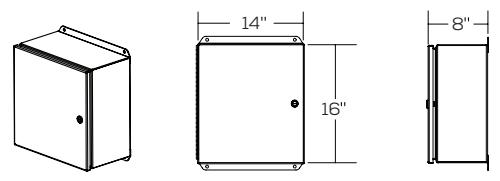


2"  
TELESPAR  
MOUNT

## MOUNTING OPTIONS



SMALL AC CABINET



LARGE AC CABINET

## SYSTEM DRAWINGS