

FL-2400-20W 24-Hour Flashing Beacon


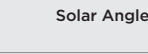
FL SERIES



2412-20W
44° Standard Angle
12" Amber LED

2408-20W
7° Flat Angle
8" Red LED

SELF-CONTAINED 20 WATT SOLAR ENGINE

	Solar Panel Solar Cell - Monocrystalline Silicon Rated Power (Pmp) 20 Watts Rated Voltage (Vmp) 18 VDC Rated Current (Imp) 1.1 Amps CE and TUV certified
	Solar Angle 7° (Flat) 44° (Standard)
	Standard Battery Bank AGM 12V, 18 Ah - UL Recognized, field replaceable
	Cold Weather Battery Bank Option AGM 12V, 16 Ah - UL Recognized, field replaceable
	Solar Engine Housing Material A5052 Sheet Aluminum (Enclosure) 6061-T6 Aluminum (Mount)
	Solar Engine Dimensions 15.75" x 13.25" X 4.5" (40 x 33.7 x 11.5cm)*

POWER MANAGEMENT

Charged Capacity	Up to 30 days at rated usage
Automatic Light Control (ALC)	Various stages of brightness for different solar conditions and battery levels

SYSTEM PROTECTION

Low Voltage Disconnect	9.5 VDC
Over Current Protection	1.8 Amp PTC auto-reset fuse
Self Monitoring	Visual notification of sub-optimal operation

LED BEACON SIGNAL HEAD

Standard Followed	ITE VTCOSH-STD 2005
LED Beacon Signal Head Setup	Dual Heads Pole Top Mounting
Lens Material	UV stabilized polycarbonate and Abrasion resistant
LED Housing	100% Polycarbonate
LED Size	8" Diameter (200 mm)* 12" Diameter (300mm)*
LED Housing Dimensions	8" head - 14" x 10" x 6" (35 x 25 x 16 cm)* 12" head - 17" x 14" x 6" (44 x 25 x 17 cm)*
Std. LED Color Options	Amber or Red (custom colors available)

SYSTEM OPTIONS

LED & Solar Engine Housing Colors	Yellow, Black or Green (custom colors available)
Mounting Options	Wood Post Saddle Mount: 4" x 4", 6" x 6" Round Collar Mount: 2.5", 3.5", 4.5", 5" Side Mount Bracket: 18", 36", and 48"

AVAILABLE WITH RED LEDS FOR STOP SIGNS, AMBER LEDS FOR WARNING SIGNS

SYSTEM OVERVIEW

Compliance	FHWA MUTCD Compliant
Standard Operation	Continuous Flashing, 24-hours a day, 365 days a year Manual On/Off capability with user supplied switch
Flash Pattern Options	MUTCD Standard (0.5 seconds ON, 0.5 seconds OFF) JSFT Strobe Energy Efficient Flash Pattern** JSFT Wig - Wag Strobe Energy Efficient Flash Pattern** MUTCD Wig - Wag
Std. Operating Temperature	14°F to +165°F (-10°C to +74°C)
Cold Weather Upgrade Option	-40°F to +176°F (-40°C to +80°C)
System Voltage	12 VDC
Packaged Dimensions	8" head - 35" x 28" x 17" @ 66 lbs (89 x 71 x 43cm @ 30 kg)* 12" head - 35" x 28" x 17" @ 76 lbs (89 x 71 x 43cm @ 34.5 kg)*

SIGNAL HEAD AND SOLAR ENGINE AVAILABLE WITH STANDARD COLOURS; YELLOW, BLACK, OR GREEN. CUSTOM COLOURS ARE ALWAYS AVAILABLE.



SALES

Toll-Free 1.800.990.2454
sales@jsftech.com

SUPPORT

Toll-Free 1.800.990.2454
support@jsftech.com

ADDRESS

6582 Bryn Road,
Victoria, BC V8M 1X6

WARRANTY 5-year Limited Warranty for defects in workmanship and materials (excludes batteries and vandalism)



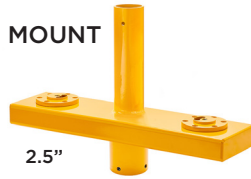
FL-2400-20W 24-Hour Flashing Beacon



STANDARD ROUND MOUNT



18"
SIDE MOUNT BRACKET
ALSO AVAILABLE IN 36" & 48"



2.5"



3.5"



5"



6"

WOOD POST SADDLE MOUNT



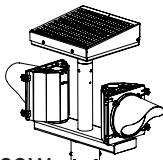
4X4"



6X6"

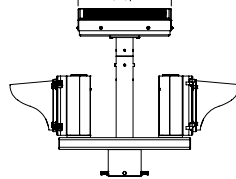
MOUNTING OPTIONS

ISO VIEW

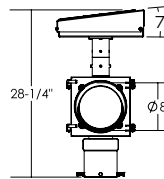


FL-2408-20W
FLAT PANEL ANGLE

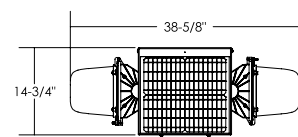
SIDE VIEW



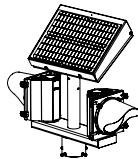
FRONT VIEW



TOP VIEW

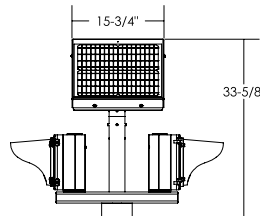


ISO VIEW

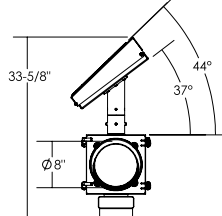


FL-2408-20W
STANDARD PANEL ANGLE

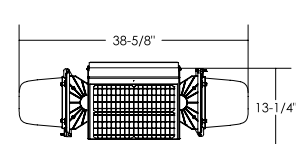
SIDE VIEW



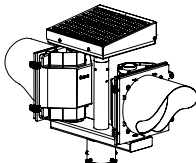
FRONT VIEW



TOP VIEW

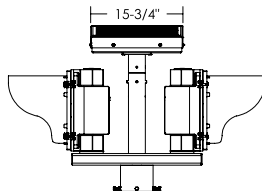


ISO VIEW

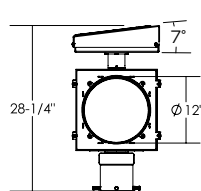


FL-2412-20W
FLAT PANEL ANGLE

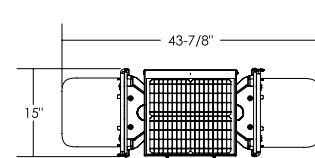
SIDE VIEW



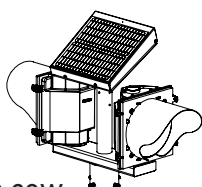
FRONT VIEW



TOP VIEW

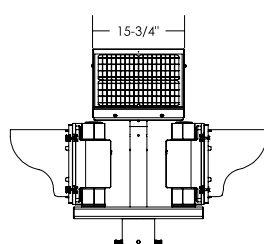


ISO VIEW

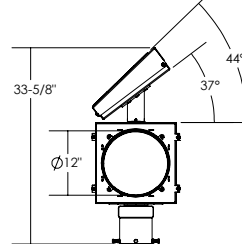


FL-2412-20W
STANDARD PANEL ANGLE

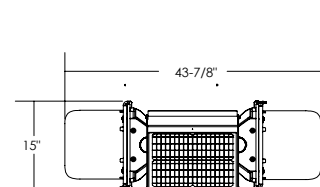
SIDE VIEW



FRONT VIEW



TOP VIEW



SYSTEM DRAWINGS



JSF
TECHNOLOGIES
SOLAR TRAFFIC SOLUTIONS

www.JSFTech.com

sales@JSFTech.com

1-800-990-2454

FL-2400-40W 24-Hour Flashing Beacon


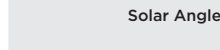
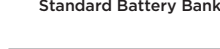
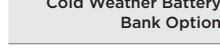
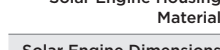

FL SERIES




2412-20W
44° Standard Angle
12" Amber LED

2408-20W
7° Flat Mount
8" Red LED



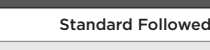
SELF-CONTAINED 40 WATT SOLAR ENGINE

	Solar Panel Solar Cell - Monocrystalline Silicon Rated Power (Pmp) 40 Watts Rated Voltage (Vmp) 18 VDC Rated Current (Imp) 2.2 Amps CE and TUV certified
	Solar Angle 7° (Flat) 44° (Standard)
	Standard Battery Bank 2 x AGM 12V, 16 Ah - UL Recognized, field replaceable
	Cold Weather Battery Bank Option 2 x AGM 12V, 16 Ah - UL Recognized, field replaceable
	Solar Engine Housing Material A5052 Sheet Aluminum (Enclosure) 6061-T6 Aluminum (Mount)
	Solar Engine Dimensions 15.75" x 13.25" x 4.5" (40 x 33.7 x 11.5cm)*

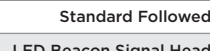
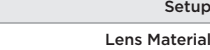


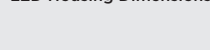
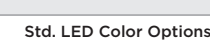

POWER MANAGEMENT

	Charged Capacity Up to 30 days at rated usage
	Automatic Light Control (ALC) Various stages of brightness for different solar conditions and battery levels


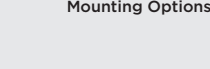
SYSTEM PROTECTION

	Low Voltage Disconnect 9.5 VDC
	Over Current Protection 1.8 Amp PTC auto-reset fuse
	Self Monitoring Visual notification of sub-optimal operation

LED BEACON SIGNAL HEAD


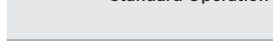

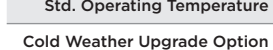
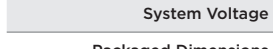


	Standard Followed ITE VTCSH-STD 2005
	LED Beacon Signal Head Setup Dual Heads Pole Top Mounting
	Lens Material UV stabilized polycarbonate and Abrasion resistant
	LED Housing 100% Polycarbonate
	LED Size 8" Diameter (200 mm)* 12" Diameter (300mm)*
	LED Housing Dimensions 8" head - 14" x 10" x 6" (35 x 25 x 16 cm)* 12" head - 17" x 14" x 6" (44 x 25 x 17 cm)*
	Std. LED Color Options Amber or Red (custom colors available)

SYSTEM OPTIONS

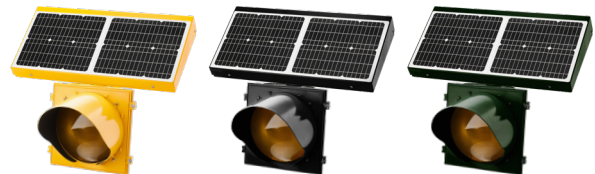
	LED & Solar Engine Housing Colors Yellow, Black or Green (custom colors available)
	Mounting Options Wood Post Saddle Mount: 4" x 4", 6" x 6" Round Collar Mount: 2.5", 3.5", 5", 6" Side Mount Bracket: 18", 36", and 48"

AVAILABLE WITH RED LEDS FOR STOP SIGNS, AMBER LEDS FOR WARNING SIGNS

SYSTEM OVERVIEW

	Compliance FHWA MUTCD Compliant
	Standard Operation Continuous Flashing, 24-hours a day, 365 days a year Manual On/Off capability with user supplied switch
	Flash Pattern Options MUTCD Standard (0.5 seconds ON, 0.5 seconds OFF) JSFT Strobe Energy Efficient Flash Pattern** JSFT Wig - Wag Strobe Energy Efficient Flash Pattern** MUTCD Wig - Wag
	Std. Operating Temperature 14°F to +165°F (-10°C to +74°C)
	Cold Weather Upgrade Option -40°F to +176°F (-40°C to +80°C)
	System Voltage 12 VDC
	Packaged Dimensions 8" head - 35" x 28" x 17" @ 74 lbs (89 x 71 x 43cm @ 34 kg)* 12" head - 35" x 28" x 17" @ 84 lbs (89 x 71 x 43cm @ 38 kg)*

SIGNAL HEAD AND SOLAR ENGINE AVAILABLE WITH STANDARD COLOURS; YELLOW, BLACK, OR GREEN. CUSTOM COLOURS ARE ALWAYS AVAILABLE.



SALES

Toll-Free 1.800.990.2454
sales@jsftech.com

SUPPORT

Toll-Free 1.800.990.2454
support@jsftech.com

ADDRESS

6582 Bryn Road,
Victoria, BC V8M 1X6

WARRANTY 5-year Limited Warranty for defects in workmanship and materials (excludes batteries and vandalism)


Distributed by **FORTTRAN** www.forttrantraffic.com
Central Office: 1-800-387-4555

*All measurements and weights are approximate **50% power consumption of MUTCD



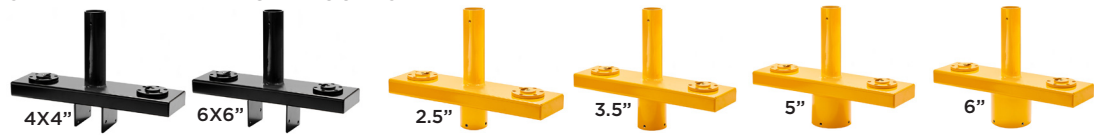
FL-2400-40W 24-Hour Flashing Beacon






18"
SIDE MOUNT BRACKET
ALSO AVAILABLE IN 36" & 48"

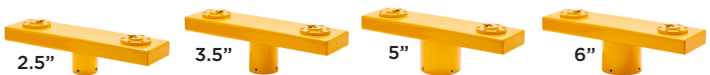
STANDARD PANEL ANGLE MOUNTS




WOOD POST SADDLE MOUNT



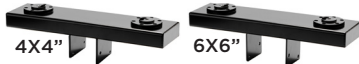
STANDARD ROUND MOUNT




FLAT PANEL ANGLE MOUNTS



WOOD POST SADDLE MOUNT



STANDARD ROUND MOUNT



MOUNTING OPTIONS

FL-2408-40W FLAT PANEL ANGLE

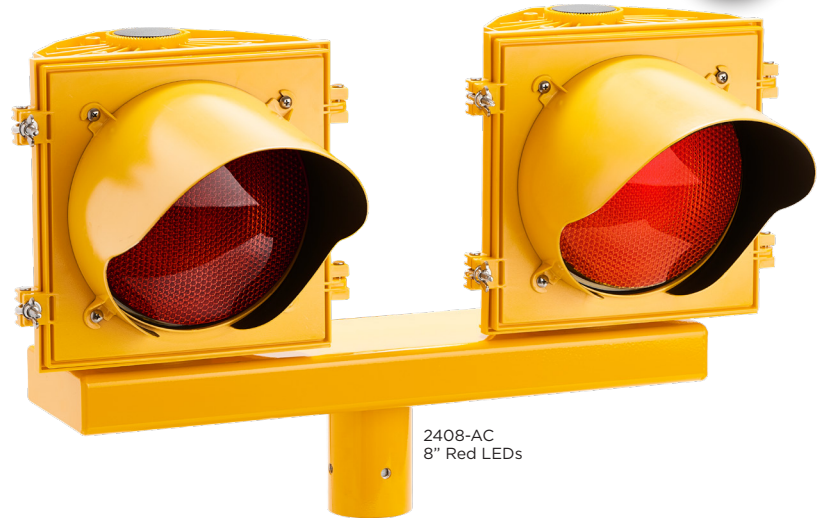
FL-2408-40W STANDARD PANEL ANGLE

FL-2412-40W FLAT PANEL ANGLE

FL-2412-40W STANDARD PANEL ANGLE

SYSTEM DRAWINGS

FL-2400-AC 24-Hour Flashing Beacon



AC ENCLOSURE

Enclosure Material	0.08" Type 5052 H-32 aluminum
Enclosure Dimensions (Small)	12" x 12" x 4" (30 x 30 x 10cm)*
Enclosure Dimensions (Large)	16" x 14" x 8" (41 x 36 x 20cm)*
Standards	UL 508 Type 3R, 4, 4X, 12, and 13 CSA Type 3R, 4, 4X, 12, and 13
Compliance	NEMA Type 3R, 4, 4X, 12 and 13 JIC EGP-1-1967 IEC 60529, IP66
Enclosure Colors	Aluminum, Black, Green or Yellow (Custom Colors Available)



AC BRICK SPECIFICATIONS

Dimensions	6.375" x 1.625" x 1.25" @ 0.9 lbs (16.25 x 4.3 x 3.2 cm @ 0.41 kg)*
Power Supply Rating	120 VAC to 15 VDC Class 2 Supply
Standards	IP67, CE Certified, UL Recognized

SYSTEM PROTECTION

Over Current Protection	1.8 Amp PTC auto-reset fuse
Self Monitoring	Visual notification of sub-optimal operation

LED BEACON SIGNAL HEAD

Standard Followed	ITE VTC SH-STD 2005
LED Beacon Signal Head Setup	Dual Heads Pole Top Mounting
Lens Material	UV stabilized polycarbonate and Abrasion resistant
LED Housing	100% Polycarbonate
LED Size	8" Diameter (200 mm)* 12" Diameter (300mm)*
LED Housing Dimensions	8" head - 14" x 10" x 6" (35 x 25 x 16 cm)* 12" head - 17" x 14" x 6" (44 x 25 x 17 cm)*
Std. LED Color Options	Amber or Red (custom colors available)

SYSTEM OPTIONS

LED Housing Colors	Yellow, Black or Green (custom colors available)
Mounting Options	Wood Post Saddle Mount: 4" x 4", 6" x 6" Round Collar Mount: 2.5", 3.5", 5", 6" Side Mount Bracket: 18", 36", and 48"

AVAILABLE WITH RED LEDs FOR STOP SIGNS, AMBER LEDs FOR WARNING SIGNS

SYSTEM OVERVIEW

Compliance	FHWA MUTCD Compliant
Standard Operation	Continuous Flashing, 24-hours a day, 365 days a year Manual On/Off capability with user supplied switch
Flash Pattern Options	MUTCD Standard (0.5 seconds ON, 0.5 seconds OFF) JSFT Strobe Energy Efficient Flash Pattern** JSFT Wig - Wag Strobe Energy Efficient Flash Pattern** MUTCD Wig - Wag
Std. Operating Temperature	-40°F to +176°F (-40°C to +80°C)
System Voltage	12 VDC
Packaged Dimensions	Varies depending on configuration and installation method

SIGNAL HEAD AND SOLAR ENGINE AVAILABLE WITH STANDARD COLOURS; YELLOW, BLACK, OR GREEN. CUSTOM COLOURS ARE ALWAYS AVAILABLE.



SALES

Toll-Free 1.800.990.2454
sales@jsftech.com

SUPPORT

Toll-Free 1.800.990.2454
support@jsftech.com

ADDRESS

6582 Bryn Road,
Victoria, BC V8M 1X6

WARRANTY 5-year Limited Warranty for defects in workmanship and materials (excludes batteries and vandalism)



FL-2400-AC 24-Hour Flashing Beacon



18"
SIDE MOUNT BRACKET
ALSO AVAILABLE IN 36" & 48"



4X4" SADDLE MOUNT



6X6" SADDLE MOUNT

WOOD POST MOUNT



2.5"



3.5"



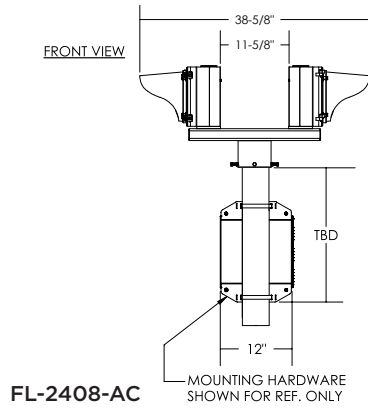
5"



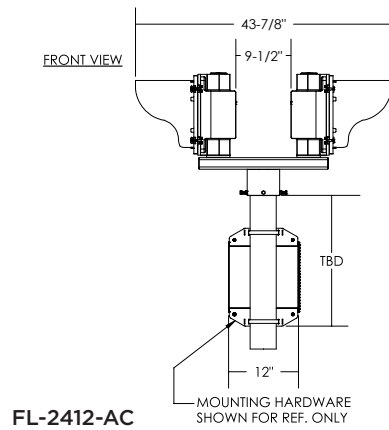
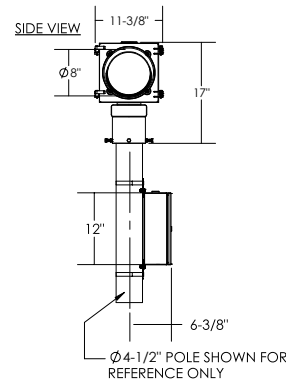
6"

STANDARD ROUND MOUNT

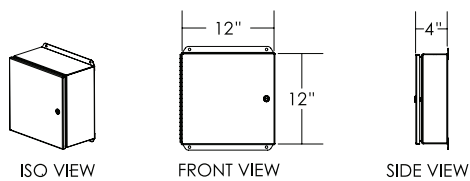
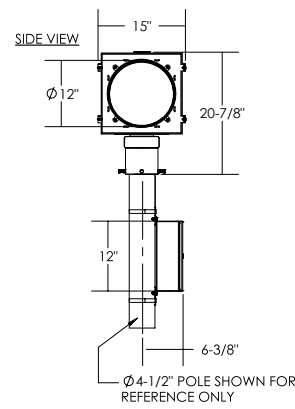
MOUNTING OPTIONS



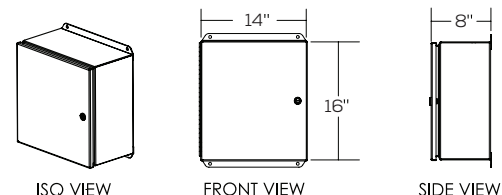
FL-2408-AC



FL-2412-AC



SMALL AC CABINET



LARGE AC CABINET

SYSTEM DRAWINGS