

# FL-3400-20W 24-Hour Flashing Beacon

FL SERIES



3412-20W  
44° Standard Angle  
12" Amber LEDs

## SELF-CONTAINED 20 WATT SOLAR ENGINE



**Solar Panel**  
Solar Cell - Monocrystalline Silicon  
Rated Power (Pmp) 20 Watts  
Rated Voltage (Vmp) 18 VDC  
Rated Current (Imp) 1.1 Amps  
CE and TUV certified

**Solar Angle** 44° (Standard)

**Standard Battery Bank** AGM 12V, 18 Ah - UL Recognized, field replaceable

**Cold Weather Battery Bank Option** AGM 12V, 16 Ah - UL Recognized, field replaceable

**Solar Engine Housing Material** A5052 Sheet Aluminum (Enclosure)  
6061-T6 Aluminum (Mount)

**Solar Engine Dimensions** 15.75" x 13.25" X 4.5" (40 x 33.7 x 11.5cm)\*

## POWER MANAGEMENT

**Charged Capacity** Up to 30 days at rated usage

**Automatic Light Control (ALC)** Various stages of brightness for different solar conditions and battery levels

## SYSTEM PROTECTION

**Low Voltage Disconnect** 9.5 VDC

**Over Current Protection** 1.8 Amp PTC auto-reset fuse

**Self Monitoring** Visual notification of sub-optimal operation

## LED BEACON SIGNAL HEAD

**Standard Followed** ITE VTCSH-STD 2005

**LED Beacon Signal Head Setup** Dual Heads, Overhead Horizontal Mounting

**Lens Material** UV stabilized polycarbonate and Abrasion resistant

**LED Housing** 100% Polycarbonate

**LED Size** 8" Diameter (200 mm)\*  
12" Diameter (300mm)\*

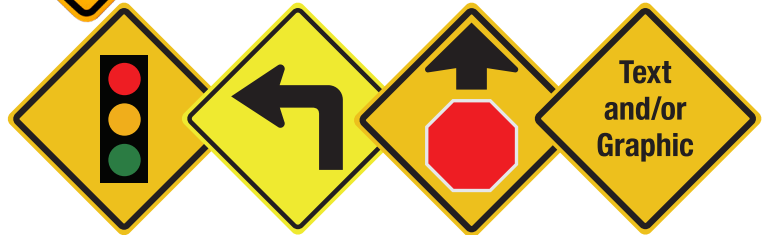
**LED Housing Dimensions** 8" head - 14" x 10" x 6"  
(35 x 25 x 16 cm)\*  
12" head - 17" x 14" x 6"  
(44 x 25 x 17 cm)\*

**Std. LED Color Options** Amber or Red (custom colors available)

## SYSTEM OPTIONS

**LED & Solar Engine Housing Colors** Yellow, Black or Green (custom colors available)

**Mounting Options** Round Pole Collars: 2.5", 3.5", 5" and 6"  
Square Wood Post Saddle: 4x4", 6x6"  
Telespar & U-Channel: 2"  
Side Mount Bracket: 9", 12", 18"  
and custom lengths available  
Custom Mounts Available



AVAILABLE WITH ANY STANDARD SIGN. CUSTOM SIGNS ARE AVAILABLE  
AVAILABLE WITH RED LEDs FOR STOP SIGNS, AMBER LEDs FOR WARNING SIGNS

## SYSTEM OVERVIEW

<b>Compliance</b>	FHWA MUTCD Compliant
<b>Standard Operation</b>	Continuous Flashing, 24-hours a day, 365 days a year Manual On/Off capability with user supplied switch
<b>Flash Pattern Options</b>	MUTCD Standard (0.5 seconds ON, 0.5 seconds OFF) JSFT Strobe Energy Efficient Flash Pattern** MUTCD Wig - Wag JSFT Wig - Wag Strobe Energy Efficient Flash Pattern**
<b>Std. Operating Temperature</b>	14°F to +165°F (-10°C to +74°C)
<b>Cold Weather Upgrade Option</b>	-40°F to +176°F (-40°C to +80°C)
<b>System Voltage</b>	12 VDC
<b>Packaged Dimensions</b>	8" head - 30" x 18" x 18" @ 43 lbs (76 x 46 x 46cm @ 20 kg)* 12" head - 30" x 18" x 18" @ 53 lbs (76 x 46 x 46cm @ 24 kg)*

SIGNAL HEAD AND SOLAR ENGINE AVAILABLE WITH STANDARD COLOURS;  
YELLOW, BLACK, OR GREEN. CUSTOM COLOURS ARE ALWAYS AVAILABLE.



### SALES

Toll-Free 1.800.990.2454  
sales@jsftech.com

### SUPPORT

Toll-Free 1.800.990.2454  
support@jsftech.com

### ADDRESS

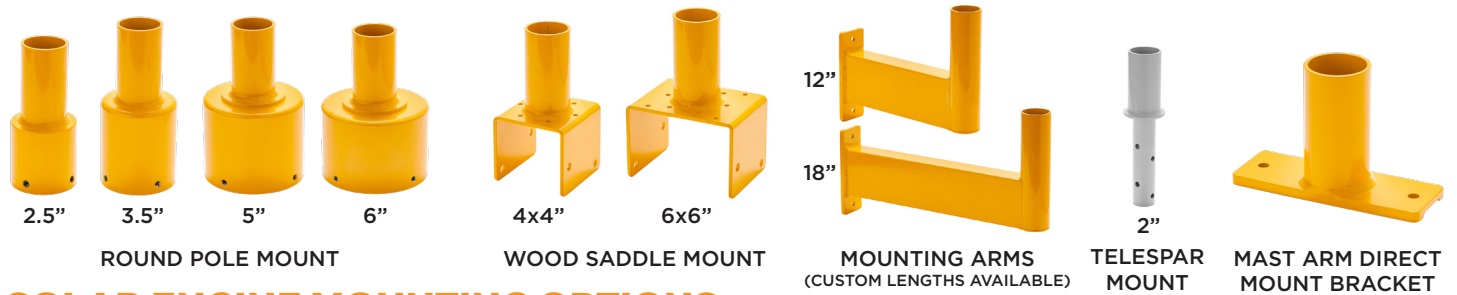
6582 Bryn Road,  
Victoria, BC V8M 1X6

**WARRANTY** 5-year Limited Warranty for defects in workmanship and materials (excludes batteries and vandalism)

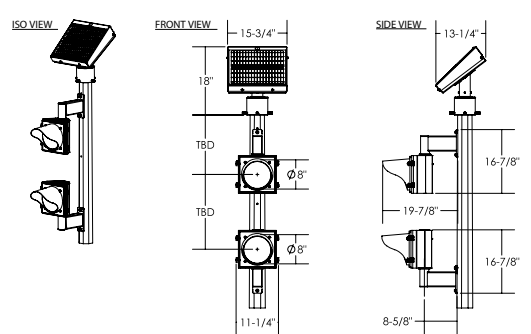
**FL-3400-20W** 24-Hour Flashing Beacon



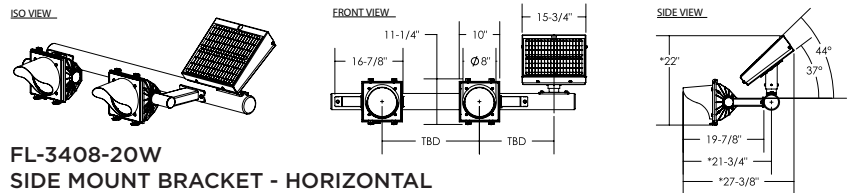
**SIGNAL HEAD MOUNTING OPTIONS**



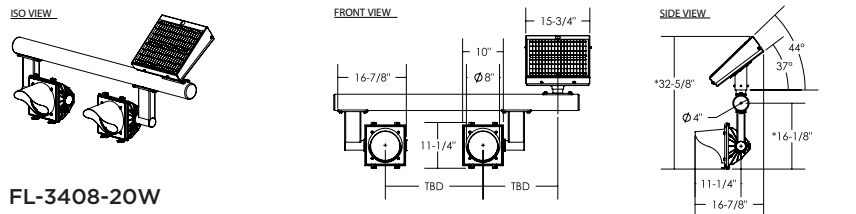
**SOLAR ENGINE MOUNTING OPTIONS**



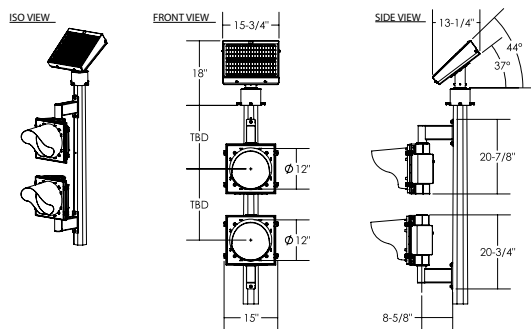
**FL-3408-20W**  
SIDE MOUNT BRACKET - VERTICAL POLE



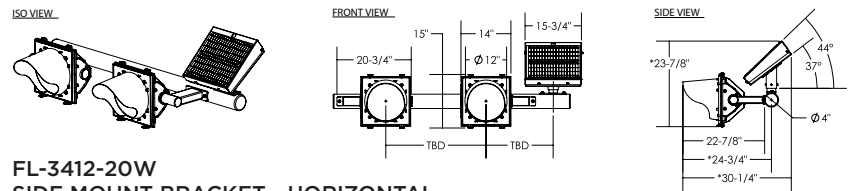
**FL-3408-20W**  
SIDE MOUNT BRACKET - HORIZONTAL



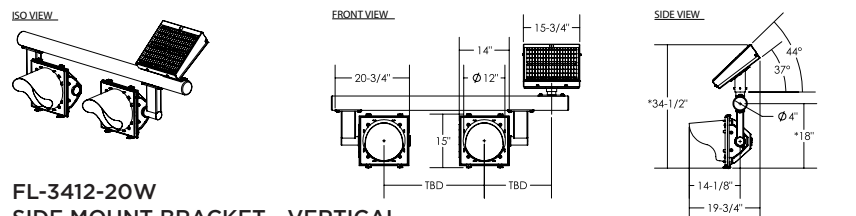
**FL-3408-20W**  
SIDE MOUNT BRACKET - VERTICAL



**FL-3412-20W**  
SIDE MOUNT BRACKET - VERTICAL POLE



**FL-3412-20W**  
SIDE MOUNT BRACKET - HORIZONTAL

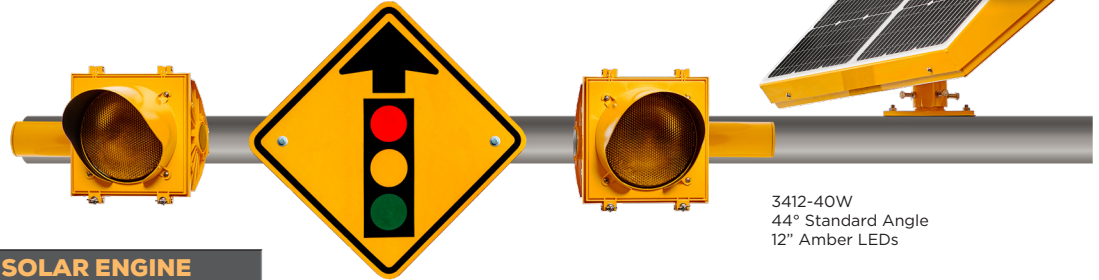


**FL-3412-20W**  
SIDE MOUNT BRACKET - VERTICAL

**SYSTEM DRAWINGS**


## FL-3400-40W 24-Hour Flashing Beacon

FL SERIES



3412-40W  
44° Standard Angle  
12" Amber LEDs

### SELF-CONTAINED 40 WATT SOLAR ENGINE

	<b>Solar Panel</b> Solar Cell - Monocrystalline Silicon Rated Power (Pmp) 40 Watts Rated Voltage (Vmp) 18 VDC Rated Current (Imp) 2.2 Amps CE and TUV certified
	<b>Solar Angle</b> 44° (Standard)
	<b>Standard Battery Bank</b> 2 x AGM 12V, 18 Ah - UL Recognized, field replaceable
	<b>Cold Weather Battery Bank Option</b> 2 x AGM 12V, 16 Ah - UL Recognized, field replaceable
	<b>Solar Engine Housing Material</b> A5052 Sheet Aluminum (Enclosure) 6061-T6 Aluminum (Mount)
	<b>Solar Engine Dimensions</b> 15.75" x 13.25" X 4.5" (40 x 33.7 x 11.5cm)*

### POWER MANAGEMENT

<b>Charged Capacity</b>	Up to 30 days at rated usage
<b>Automatic Light Control (ALC)</b>	Various stages of brightness for different solar conditions and battery levels

### SYSTEM PROTECTION

<b>Low Voltage Disconnect</b>	9.5 VDC
<b>Over Current Protection</b>	1.8 Amp PTC auto-reset fuse
<b>Self Monitoring</b>	Visual notification of sub-optimal operation

### LED BEACON SIGNAL HEAD

<b>Standard Followed</b>	ITE VTCSH-STD 2005
<b>LED Beacon Signal Head Setup</b>	Dual Heads, Overhead Horizontal Mounting
<b>Lens Material</b>	UV stabilized polycarbonate and Abrasion resistant
<b>LED Housing</b>	100% Polycarbonate
<b>LED Size</b>	8" Diameter (200 mm)* 12" Diameter (300mm)*
<b>LED Housing Dimensions</b>	8" head - 14" x 10" x 6" (35 x 25 x 16 cm)* 12" head - 17" x 14" x 6" (44 x 25 x 17 cm)*
<b>Std. LED Color Options</b>	Amber or Red (custom colors available)

### SYSTEM OPTIONS

<b>LED &amp; Solar Engine Housing Colors</b>	Yellow, Black or Green (custom colors available)
<b>Mounting Options</b>	Round Pole Collars: 2.5", 3.5", 5" and 6" Square Wood Post Saddle: 4x4", 6x6" Telespar & U-Channel: 2" Side Mount Bracket: 9", 12", 18" and custom lengths available Custom Mounts Available

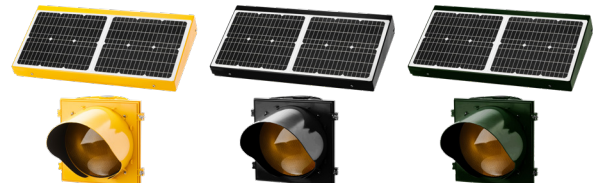


AVAILABLE WITH ANY STANDARD SIGN. CUSTOM SIGNS ARE AVAILABLE  
AVAILABLE WITH RED LEDS FOR STOP SIGNS, AMBER LEDS FOR WARNING SIGNS

### SYSTEM OVERVIEW

<b>Compliance</b>	FHWA MUTCD Compliant
<b>Standard Operation</b>	Continuous Flashing, 24-hours a day, 365 days a year Manual On/Off capability with user supplied switch
<b>Flash Pattern Options</b>	MUTCD Standard (0.5 seconds ON, 0.5 seconds OFF) JSFT Strobe Energy Efficient Flash Pattern** JSFT Wig - Wag Strobe Energy Efficient Flash Pattern** MUTCD Wig - Wag
<b>Std. Operating Temperature</b>	14°F to +165°F (-10°C to +74°C)
<b>Cold Weather Upgrade Option</b>	-40°F to +176°F (-40°C to +80°C)
<b>System Voltage</b>	12 VDC
<b>Packaged Dimensions</b>	8" head - 36" x 18" x 18" @ 75 lbs (92 x 46 x 46cm @ 34 kg)* 12" head - 36" x 18" x 18" @ 78 lbs (91.5 x 45.7 x 45.7cm @ 35 kg)*

SIGNAL HEAD AND SOLAR ENGINE AVAILABLE WITH STANDARD COLOURS;  
YELLOW, BLACK, OR GREEN. CUSTOM COLOURS ARE ALWAYS AVAILABLE.



#### SALES

Toll-Free 1.800.990.2454  
sales@jsftech.com

#### SUPPORT

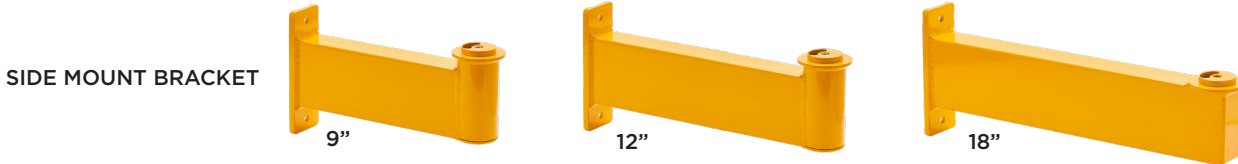
Toll-Free 1.800.990.2454  
support@jsftech.com

#### ADDRESS

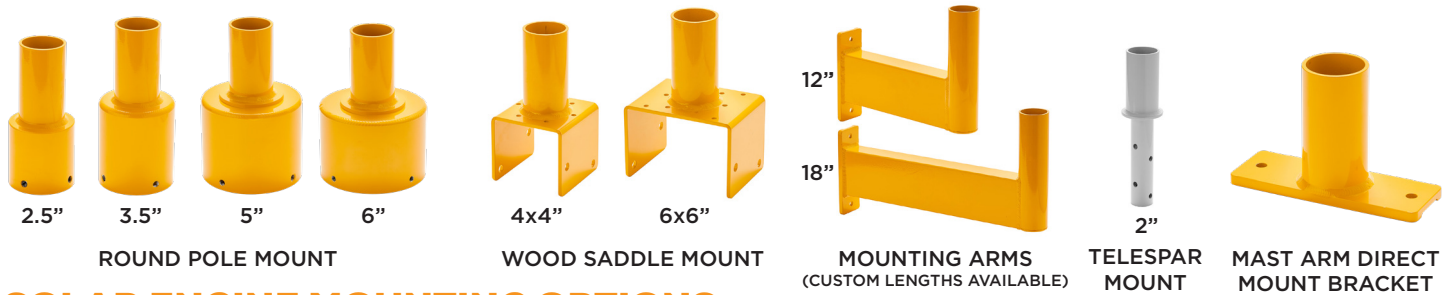
6582 Bryn Road,  
Victoria, BC V8M 1X6

**WARRANTY** 5-year Limited Warranty for defects in workmanship and materials (excludes batteries and vandalism)

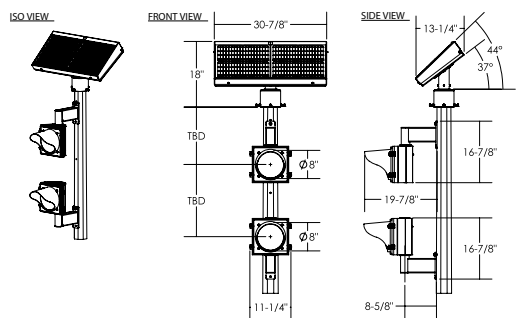
# FL-3400-40W 24-Hour Flashing Beacon



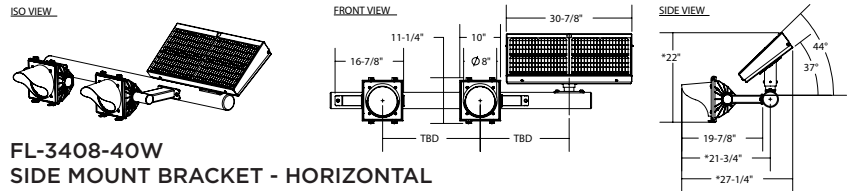
## SIGNAL HEAD MOUNTING OPTIONS



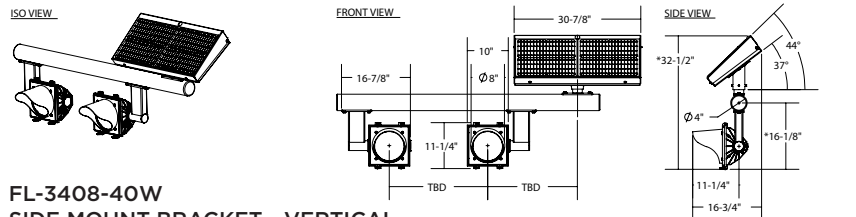
## SOLAR ENGINE MOUNTING OPTIONS



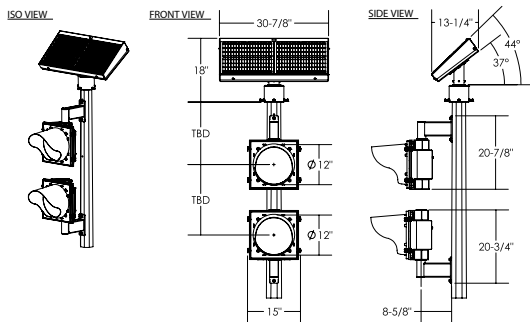
**FL-3408-40W**  
**SIDE MOUNT BRACKET - VERTICAL POLE**



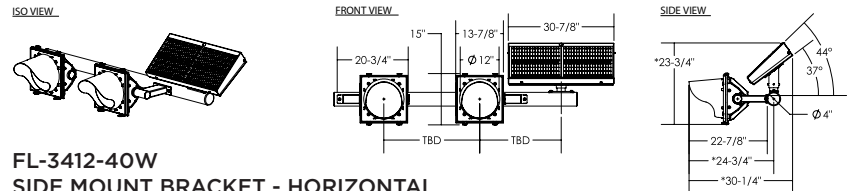
**FL-3408-40W**  
**SIDE MOUNT BRACKET - HORIZONTAL**



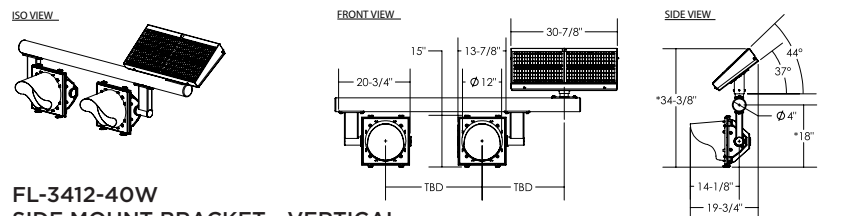
**FL-3408-40W**  
**SIDE MOUNT BRACKET - VERTICAL**



**FL-3412-40W**  
**SIDE MOUNT BRACKET - VERTICAL POLE**



**FL-3412-40W**  
**SIDE MOUNT BRACKET - HORIZONTAL**



**FL-3412-40W**  
**SIDE MOUNT BRACKET - VERTICAL**

## SYSTEM DRAWINGS

# FL-3400-AC 24-Hour Flashing Beacon

FL SERIES

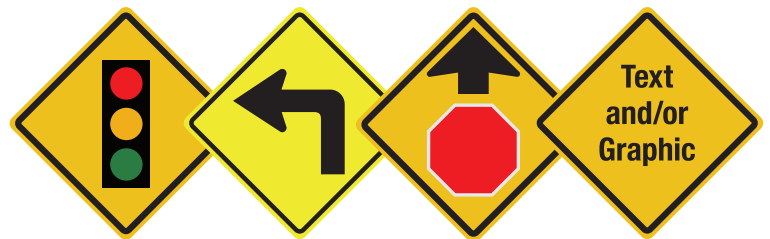


3412-AC  
12" Amber LEDs

## AC ENCLOSURE

Enclosure Material	0.08" Type 5052 H-32 aluminum
Enclosure Dimensions (Small)	12" x 12" x 4" (30 x 30 x 10cm)*
Enclosure Dimensions (Large)	16" x 14" x 8" (41 x 36 x 20cm)*
Standards	UL 508 Type 3R, 4, 4X, 12, and 13 CSA Type 3R, 4, 4X, 12, and 13
Compliance	NEMA Type 3R, 4, 4X, 12 and 13 JIC EGP-1-1967 IEC 60529, IP66

Enclosure Colors: Aluminum, Black, Green or Yellow (Custom Colors Available)



AVAILABLE WITH ANY STANDARD SIGN. CUSTOM SIGNS ARE AVAILABLE  
AVAILABLE WITH RED LEDs FOR STOP SIGNS, AMBER LEDs FOR WARNING SIGNS

## SYSTEM OVERVIEW

Compliance	FHWA MUTCD Compliant
Standard Operation	Continuous Flashing, 24-hours a day, 365 days a year Manual On/Off capability with user supplied switch
Flash Pattern Options	MUTCD Standard (0.5 seconds ON, 0.5 seconds OFF) JSFT Strobe Energy Efficient Flash Pattern** JSFT Wig - Wag Strobe Energy Efficient Flash Pattern** MUTCD Wig - Wag
Std. Operating Temperature	-40°F to +176°F (-40°C to +80°C)
System Voltage	12 VDC
Packaged Dimensions	Varies depending on configuration and installation method

## AC BRICK SPECIFICATIONS

Dimensions	6.375" x 1.625" x 1.25" @ 0.9 lbs (16.25 x 4.3 x 3.2 cm @ 0.41 kg)*
Power Supply Rating	120 VAC to 15 VDC Class 2 Supply
Standards	IP67, CE Certified, UL Recognized

## SYSTEM PROTECTION

Over Current Protection	1.8 Amp PTC auto-reset fuse
Self Monitoring	Visual notification of sub-optimal operation

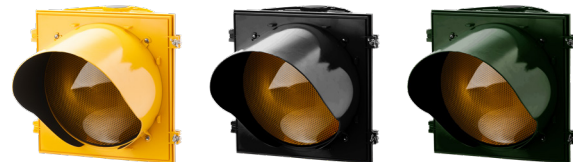
## LED BEACON SIGNAL HEAD

Standard Followed	ITE VTCOSH-STD 2005
LED Beacon Signal Head Setup	Dual Heads, Overhead Horizontal Mounting
Lens Material	UV stabilized polycarbonate and Abrasion resistant
LED Housing	100% Polycarbonate
LED Size	8" Diameter (200 mm)* 12" Diameter (300mm)*
LED Housing Dimensions	8" head - 14" x 10" x 6" (35 x 25 x 16 cm)* 12" head - 17" x 14" x 6" (44 x 25 x 17 cm)*
Std. LED Color Options	Amber or Red (custom colors available)

## SYSTEM OPTIONS

LED Housing Colors	Yellow, Black or Green (custom colors available)
Mounting Options	Side Mount Bracket: 9", 12", 18" and custom lengths available

SIGNAL HEAD AND SOLAR ENGINE AVAILABLE WITH STANDARD COLOURS; YELLOW, BLACK, OR GREEN. CUSTOM COLOURS ARE ALWAYS AVAILABLE.



### SALES

Toll-Free 1.800.990.2454  
sales@jsftech.com

### SUPPORT

Toll-Free 1.800.990.2454  
support@jsftech.com

### ADDRESS

6582 Bryn Road,  
Victoria, BC V8M 1X6

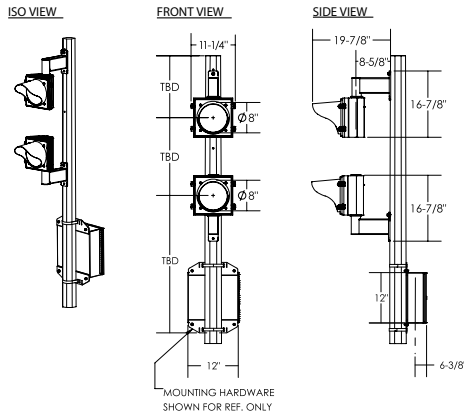
**WARRANTY** 5-year Limited Warranty for defects in workmanship and materials (excludes batteries and vandalism)



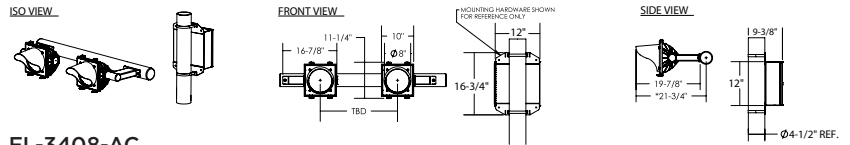
# FL-3400-AC 24-Hour Flashing Beacon



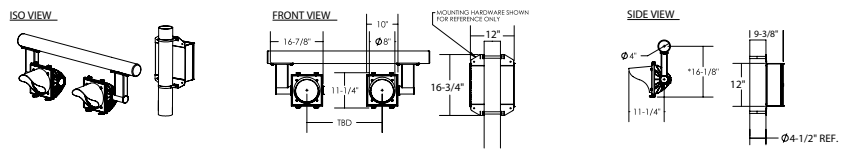
## SIGNAL HEAD MOUNTING OPTIONS



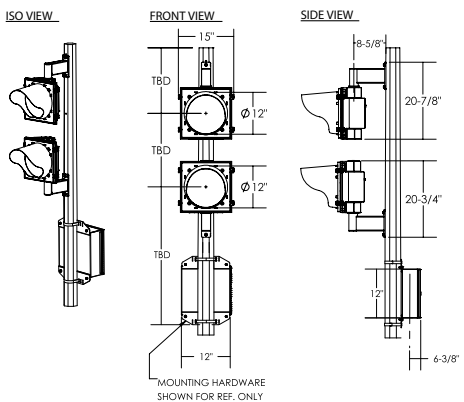
**FL-3408-AC**  
SIDE MOUNT BRACKET - VERTICAL POLE



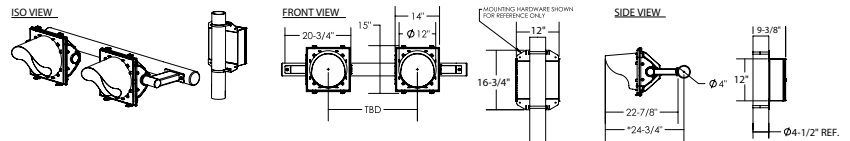
**FL-3408-AC**  
SIDE MOUNT BRACKET - HORIZONTAL



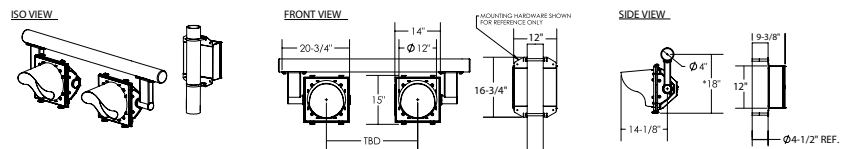
**FL-3408-AC**  
SIDE MOUNT BRACKET - VERTICAL



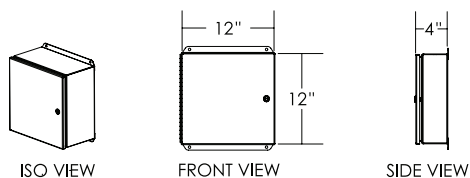
**FL-3412-AC**  
SIDE MOUNT BRACKET - VERTICAL POLE



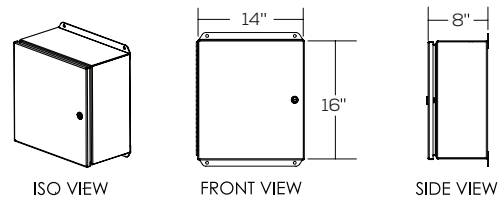
**FL-3412-AC**  
SIDE MOUNT BRACKET - HORIZONTAL



**FL-3412-AC**  
SIDE MOUNT BRACKET - VERTICAL



**SMALL AC CABINET**



**LARGE AC CABINET**

## SYSTEM DRAWINGS