

# FL-5800-20W 24-Hour LED Flashing Signs



## SELF-CONTAINED 20 WATT SOLAR ENGINE

**Solar Panel** Solar Cell - Monocrystalline Silicon  
Rated Power (Pmp) 20 Watts  
Rated Voltage (Vmp) 18 VDC  
Rated Current (Imp) 1.1 Amps  
CE and TUV certified



SOLAR ENGINE AVAILABLE WITH STANDARD COLOURS; YELLOW, BLACK, OR GREEN. CUSTOM COLOURS ARE ALWAYS AVAILABLE.

<b>Solar Angle</b>	44° (Standard)
<b>Standard Battery Bank</b>	AGM 12V, 18 Ah - UL Recognized, field replaceable
<b>Cold Weather Battery Bank Option</b>	AGM 12V, 16 Ah - UL Recognized, field replaceable
<b>Solar Engine Housing Material</b>	A5052 Sheet Aluminum (Enclosure) 6061-T6 Aluminum (Mount)
<b>Solar Engine Dimensions</b>	15.75" x 13.25" X 4.5" (40 x 33.7 x 11.5cm)*

## POWER MANAGEMENT

<b>Charged Capacity</b>	Up to 30 days at rated usage
<b>Automatic Light Control (ALC)</b>	Various stages of brightness for different solar conditions and battery levels

## SYSTEM PROTECTION

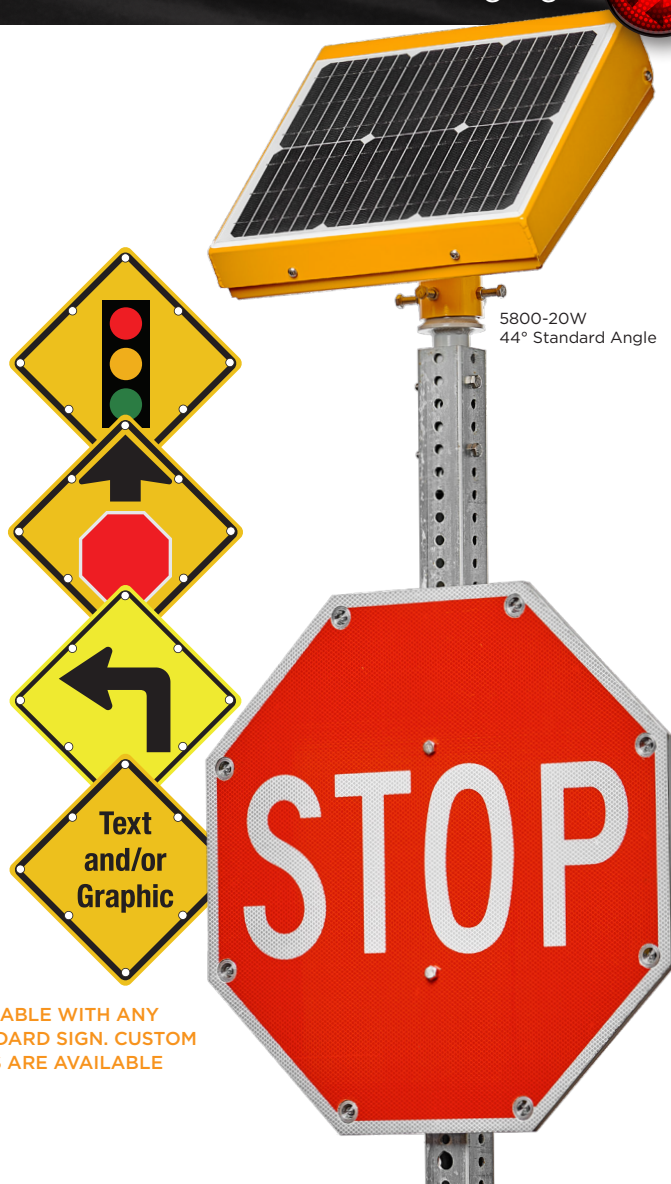
<b>Low Voltage Disconnect</b>	9.5 VDC
<b>Over Current Protection</b>	1.8 Amp PTC auto-reset fuse
<b>Self Monitoring</b>	Visual notification of sub-optimal operation

## LED ROAD SIGN

<b>Sign Style</b>	To be determined by customer
<b>Standard Road Sign Sizes</b>	24", 30", 36", or 48" and others upon request
<b>Road Sign Configuration</b>	Single Sign only
<b>Std. LED Configuration</b>	Available in 6 or 8 LEDs per sign
<b>LED Light Output</b>	132 lumens
<b>LED Size</b>	0.75" (20mm)
<b>LED Colors</b>	Amber, Red or White

## SYSTEM OPTIONS

<b>LED &amp; Solar Engine Housing Colors</b>	Yellow, Black or Green (custom colors available)
<b>Mounting Options</b>	Round Pole Collars: 2.5", 3.5", 5" and 6" Square Wood Post Saddle: 4x4", 6x6" Telespar & U-Channel: 2" Side Mount Bracket: 12", 18" and custom lengths available Custom Mounts Available



5800-20W  
44° Standard Angle

AVAILABLE WITH ANY STANDARD SIGN. CUSTOM SIGNS ARE AVAILABLE

## SYSTEM OVERVIEW

<b>Compliance</b>	FHWA MUTCD Compliant
<b>Standard Operation</b>	Continuous Flashing, 24-hours a day, 365 days a year Manual On/Off capability with user supplied switch
<b>Flash Pattern Options</b>	MUTCD Standard (0.5 seconds ON, 0.5 seconds OFF) JSFT Strobe Energy Efficient Flash Pattern**
<b>Std. Operating Temperature</b>	14°F to +165°F (-10°C to +74°C)
<b>Cold Weather Upgrade Option</b>	-40°F to +176°F (-40°C to +80°C)
<b>System Voltage</b>	12 VDC

### SALES

Toll-Free 1.800.990.2454  
sales@jsftech.com

### SUPPORT

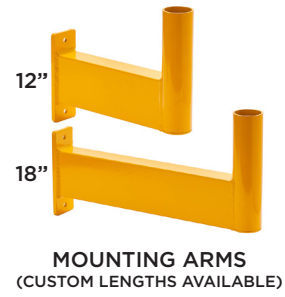
Toll-Free 1.800.990.2454  
support@jsftech.com

### ADDRESS

6582 Bryn Road,  
Victoria, BC V8M 1X6

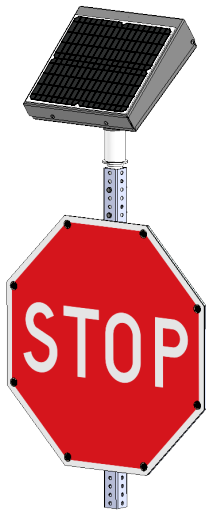
**WARRANTY** 5-year Limited Warranty for defects in workmanship and materials (excludes batteries and vandalism)

**FL-5800-20W** 24-Hour LED Flashing Signs



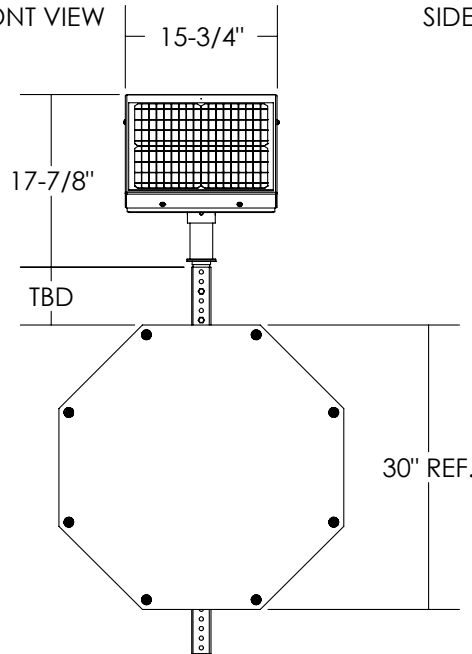
**SOLAR ENGINE MOUNTING OPTIONS**

ISO VIEW

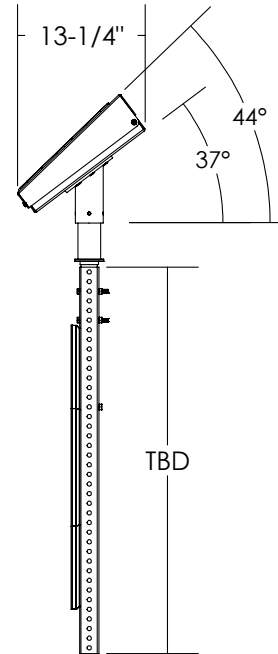


FL-5800-20W

FRONT VIEW



SIDE VIEW



**SYSTEM DRAWINGS**

# FL-5800-40W 24-Hour LED Flashing Signs

FL SERIES

## SELF-CONTAINED 40 WATT SOLAR ENGINE

**Solar Panel** Solar Cell - Monocrystalline Silicon  
Rated Power (Pmp) 40 Watts  
Rated Voltage (Vmp) 18 VDC  
Rated Current (Imp) 2.2 A  
Certifications: CE and TUV certified



SOLAR ENGINE AVAILABLE WITH STANDARD COLOURS; YELLOW, BLACK, OR GREEN. CUSTOM COLOURS ARE ALWAYS AVAILABLE.

<b>Solar Angle</b>	44° (Standard)
<b>Standard Battery Bank</b>	2 x AGM 12V, 18 Ah - UL Recognized, field replaceable
<b>Cold Weather Battery Bank Option</b>	2 x AGM 12V, 16 Ah - UL Recognized, field replaceable
<b>Solar Engine Housing Material</b>	A5052 Sheet Aluminum (Enclosure) 6061-T6 Aluminum (Mount)
<b>Solar Engine Dimensions</b>	30.875" x 13.25" x 4.5" (78.4 x 33.7 x 11.5cm)*

## POWER MANAGEMENT

<b>Charged Capacity</b>	Up to 30 days at rated usage
<b>Automatic Light Control (ALC)</b>	Various stages of brightness for different solar conditions and battery levels

## SYSTEM PROTECTION

<b>Low Voltage Disconnect</b>	9.5 VDC
<b>Over Current Protection</b>	1.8 Amp PTC auto-reset fuse
<b>Self Monitoring</b>	Visual notification of sub-optimal operation

## LED ROAD SIGN

<b>Sign Style</b>	To be determined by customer
<b>Standard Road Sign Sizes</b>	24", 30", 36", or 48" and others upon request
<b>Road Sign Configuration</b>	Single Sign only
<b>Std. LED Configuration</b>	Available in 6 or 8 LEDs per sign
<b>LED Light Output</b>	132 lumens
<b>LED Size</b>	0.75" (20mm)
<b>LED Colors</b>	Amber, Red or White

## SYSTEM OPTIONS

<b>LED &amp; Solar Engine Housing Colors</b>	Yellow, Black or Green (custom colors available)
<b>Mounting Options</b>	Round Pole Collars: 2.5", 3.5", 5" and 6" Square Wood Post Saddle: 4x4", 6x6" Telespar & U-Channel: 2" Side Mount Bracket: 12", 18" and custom lengths available Custom Mounts Available



5800-40W  
44° Standard Angle

AVAILABLE WITH ANY STANDARD SIGN. CUSTOM SIGNS ARE AVAILABLE

## SYSTEM OVERVIEW

<b>Compliance</b>	FHWA MUTCD Compliant
<b>Standard Operation</b>	Continuous Flashing, 24-hours a day, 365 days a year Manual On/Off capability with user supplied switch
<b>Flash Pattern Options</b>	MUTCD Standard (0.5 seconds ON, 0.5 seconds OFF) JSFT Strobe Energy Efficient Flash Pattern**
<b>Std. Operating Temperature</b>	14°F to +165°F (-10°C to +74°C)
<b>Cold Weather Upgrade Option</b>	-40°F to +176°F (-40°C to +80°C)
<b>System Voltage</b>	12 VDC

### SALES

Toll-Free 1.800.990.2454  
sales@jsftech.com

### SUPPORT

Toll-Free 1.800.990.2454  
support@jsftech.com

### ADDRESS

6582 Bryn Road,  
Victoria, BC V8M 1X6

**WARRANTY** 5-year Limited Warranty for defects in workmanship and materials (excludes batteries and vandalism)

**FL-5800-40W** 24-Hour LED Flashing Signs



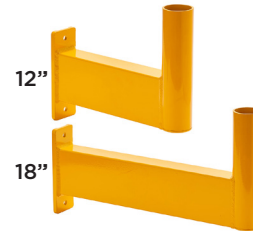
2.5" 3.5" 5" 6"

ROUND POLE MOUNT



4x4" 6x6"

WOOD SADDLE MOUNT



12"  
18"

MOUNTING ARMS  
(CUSTOM LENGTHS AVAILABLE)

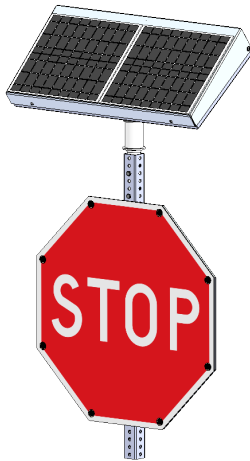


2"

TELESPAR  
MOUNT

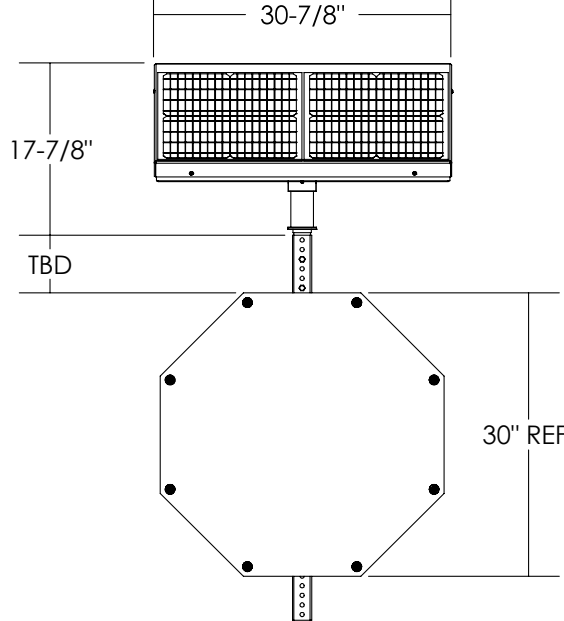
**SOLAR ENGINE MOUNTING OPTIONS**

ISO VIEW

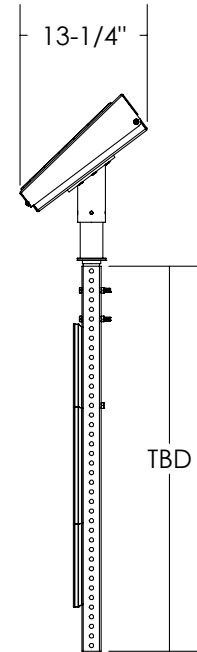


FL-5800-40W

FRONT VIEW



SIDE VIEW



**SYSTEM DRAWINGS**



**FL-5800-AC** 24-Hour LED Flashing Signs



**AC ENCLOSURE**

Enclosure Material	0.08" Type 5052 H-32 aluminum
Enclosure Dimensions (Small)	12" x 12" x 4" (30 x 30 x 10cm)*
Enclosure Dimensions (Large)	16" x 14" x 8" (41 x 36 x 20cm)*
Standards	UL 508 Type 3R, 4, 4X, 12, and 13 CSA Type 3R, 4, 4X, 12, and 13
Compliance	NEMA Type 3R, 4, 4X, 12 and 13 JIC EGP-1-1967 IEC 60529, IP66
Enclosure Colors	Aluminum, Black, Green or Yellow (Custom Colors Available)



**AC BRICK SPECIFICATIONS**

Dimensions	6.375" x 1.625" x 1.25" @ 0.9 lbs (16.25 x 4.3 x 3.2 cm @ 0.41 kg)*
Power Supply Rating	120 VAC to 15 VDC Class 2 Supply
Standards	IP67, CE Certified, UL Recognized

**SYSTEM PROTECTION**

Over Current Protection	1.8 Amp PTC auto-reset fuse
Self Monitoring	Visual notification of sub-optimal operation

**LED ROAD SIGN**

Sign Style	To be determined by customer
Standard Road Sign Sizes	24", 30", 36", or 48" and others upon request
Road Sign Configuration	Single Sign only
Std. LED Configuration	Available in 6 or 8 LEDs per sign
LED Light Output	132 lumens
LED Size	0.75" (20mm)
LED Colors	Amber, Red or White

**SYSTEM OVERVIEW**

Compliance	FHWA MUTCD Compliant
Standard Operation	Continuous Flashing, 24-hours a day, 365 days a year Manual On/Off capability with user supplied switch
Flash Pattern Options	MUTCD Standard (0.5 seconds ON, 0.5 seconds OFF) JSFT Strobe Energy Efficient Flash Pattern**
Std. Operating Temperature	-40°F to +176°F (-40°C to +80°C)
System Voltage	12 VDC

AVAILABLE WITH ANY STANDARD SIGN  
CUSTOM SIGNS ARE AVAILABLE

**SALES**

Toll-Free 1.800.990.2454  
sales@jsftech.com

**SUPPORT**

Toll-Free 1.800.990.2454  
support@jsftech.com

**ADDRESS**

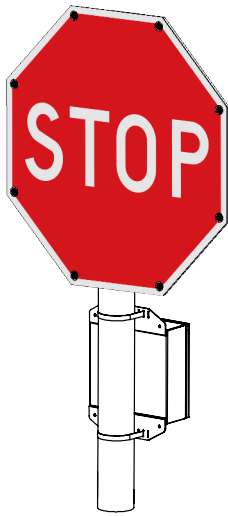
6582 Bryn Road,  
Victoria, BC V8M 1X6

**WARRANTY** 5-year Limited Warranty for defects in workmanship and materials (excludes batteries and vandalism)



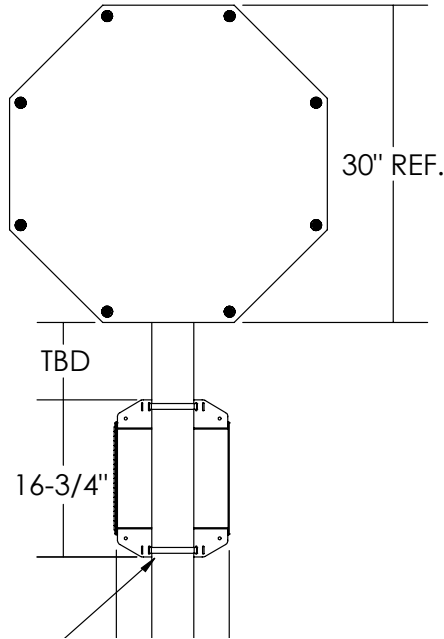
**FL-5800-AC** 24-Hour LED Flashing Signs

ISO VIEW

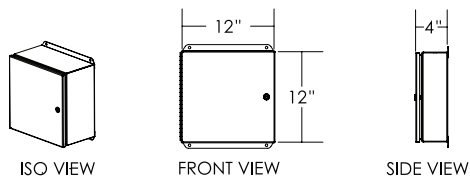
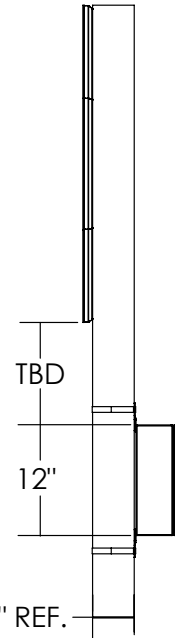


FL-5800-AC

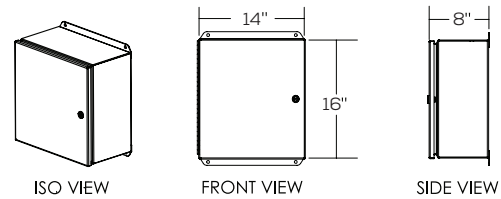
FRONT VIEW



SIDE VIEW



SMALL AC CABINET



LARGE AC CABINET

**SYSTEM DRAWINGS**