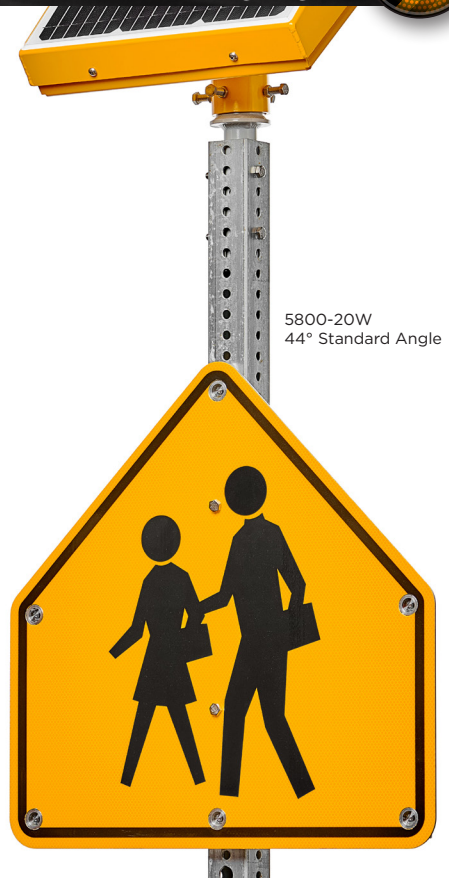
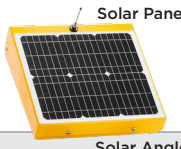


**SZ-5800-20W**  
Safety Zone Programmable/Remote LED Flashing Signs



5800-20W  
44° Standard Angle

**SELF-CONTAINED 20 WATT SOLAR ENGINE**



<b>Solar Panel</b>	Solar Cell - Monocrystalline Silicon Rated Power (Pmp) 20 Watts Rated Voltage (Vmp) 18 VDC Rated Current (Imp) 1.1 Amps CE and TUV certified
<b>Solar Angle</b>	44° (Standard)
<b>Standard Battery Bank</b>	AGM 12V, 18 Ah - UL Recognized, field replaceable
<b>Cold Weather Battery Bank Option</b>	AGM 12V, 16 Ah - UL Recognized, field replaceable
<b>Solar Engine Housing Material</b>	A5052 Sheet Aluminum (Enclosure) 6061-T6 Aluminum (Mount)
<b>Solar Engine Dimensions</b>	15.75" x 13.25" X 4.5" (40 x 33.7 x 11.5cm)*

**POWER MANAGEMENT**

<b>Rated Usage</b>	300 cycles per day, 25 second activation
<b>Charged Capacity</b>	Up to 30 days at rated usage
<b>Automatic Light Control (ALC)</b>	Various stages of brightness for different solar conditions and battery levels

**SYSTEM PROTECTION**

<b>Low Voltage Disconnect</b>	9.5 VDC
<b>Over Current Protection</b>	1.8 Amp PTC auto-reset fuse
<b>Self Monitoring</b>	Visual notification of sub-optimal operation

**LED ROAD SIGN**

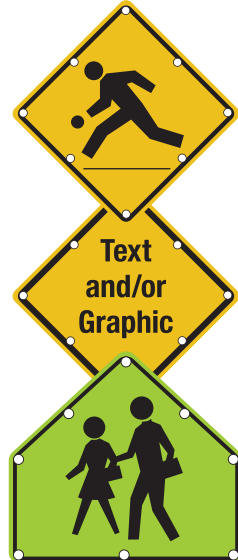
<b>Sign Style</b>	To be determined by customer
<b>Standard Road Sign Sizes</b>	24", 30", 36", or 48" and others upon request
<b>Road Sign Configuration</b>	Single Sign only
<b>Std. LED Configuration</b>	Available in 6 or 8 LEDs per sign
<b>LED Light Output</b>	132 lumens
<b>LED Size</b>	0.75" (20mm)
<b>LED Colors</b>	Amber, Red or White

**COMMUNICATION**

<b>Band of Operation</b>	ISM Band (902-928 MHz)
<b>Compliance</b>	FCC and IC Compliant
<b>Range</b>	Up to 0.5 miles (800 m) with line of sight
<b>Network Addresses</b>	16 unique addresses to avoid interference between multiple crosswalk locations
<b>Compatibility</b>	Can communicate with other SZ units

**SYSTEM OPTIONS**

<b>LED &amp; Solar Engine Housing Colors</b>	Yellow, Black or Green (custom colors available)
<b>Mounting Options</b>	Round Pole Collars: 2.5", 3.5", 5" and 6" Square Wood Post Saddle: 4x4", 6x6" Telespar & U-Channel: 2" Side Mount Bracket: 12", 18" and custom lengths available Custom Mounts Available



AVAILABLE WITH ANY STANDARD SIGN. CUSTOM SIGNS ARE AVAILABLE

**SYSTEM OVERVIEW**

<b>Compliance</b>	FHWA MUTCD Compliant
<b>Standard Operation</b>	Programmed Schedule remotely transmitted from Primary SZ units Pedestrian Activated via push button or JSFT remote transmitters
<b>Flash Pattern Options</b>	MUTCD Standard (0.5 seconds ON, 0.5 seconds OFF) JSFT Strobe Energy Efficient Flash Pattern**
<b>Activation Duration</b>	Variable from 5 seconds to 4 hours
<b>Std. Operating Temperature</b>	14°F to +165°F (-10°C to +74°C)
<b>Cold Weather Upgrade Option</b>	-40°F to +176°F (-40°C to +80°C)
<b>System Voltage</b>	12 VDC

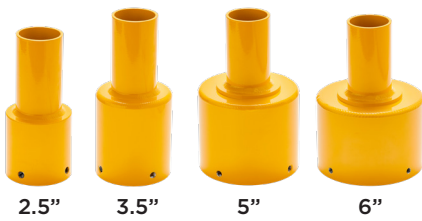
SIGNAL HEAD AND SOLAR ENGINE AVAILABLE WITH STANDARD COLOURS; YELLOW, BLACK, OR GREEN. CUSTOM COLOURS ARE ALWAYS AVAILABLE.



<p><b>SALES</b> Toll-Free 1.800.990.2454 sales@jsftech.com</p>	<p><b>SUPPORT</b> Toll-Free 1.800.990.2454 support@jsftech.com</p>	<p><b>ADDRESS</b> 6582 Bryn Road, Victoria, BC V8M 1X6</p>
--	--	--

**WARRANTY** 5-year Limited Warranty for defects in workmanship and materials (excludes batteries and vandalism)

**SZ-5800-20W**  
Safety Zone Programmable/Remote LED Flashing Signs



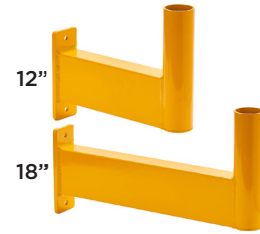
2.5" 3.5" 5" 6"

ROUND POLE MOUNT



4x4" 6x6"

WOOD SADDLE MOUNT



12"  
18"

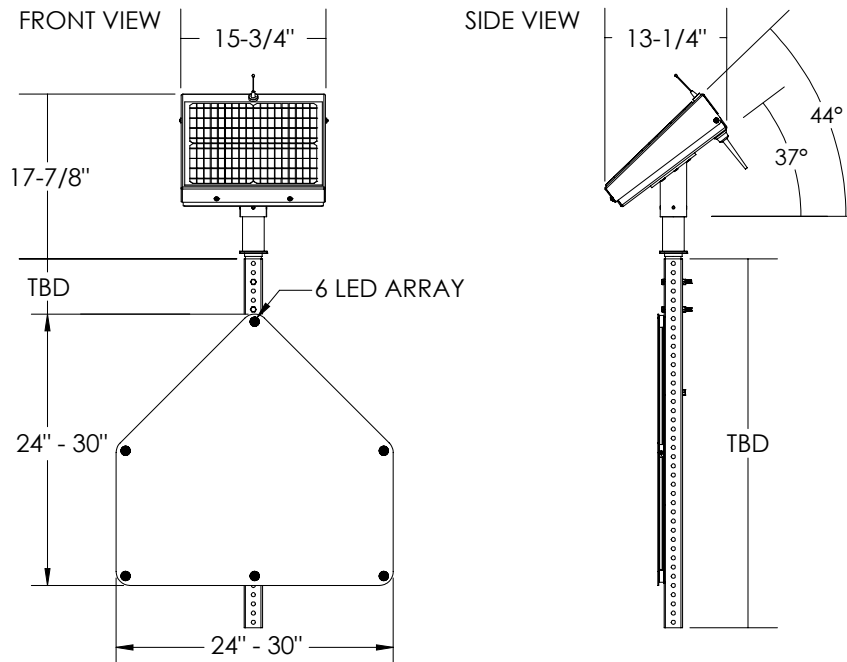
MOUNTING ARMS  
(CUSTOM LENGTHS AVAILABLE)



2"

TELESPAR  
MOUNT

**SOLAR ENGINE MOUNTING OPTIONS**



SZ-5800-20W

**SYSTEM DRAWINGS**